



DEPARTMENT OF REGULATORY AND ECONOMIC RESOURCES (RER)
BOARD AND CODE ADMINISTRATION DIVISION

MIAMI-DADE COUNTY
PRODUCT CONTROL SECTION
11805 SW 26 Street, Room 208
Miami, Florida 33175-2474
T (786) 315-2590 F (786) 315-2599

NOTICE OF ACCEPTANCE (NOA)

www.miamidade.gov/economy

Mr. Glass Doors & Windows, Inc.
7440 N.W. 66th Street
Miami, Florida 33166

SCOPE:

This NOA is being issued under the applicable rules and regulations governing the use of construction materials. The documentation submitted has been reviewed and accepted by Miami-Dade County RER- Product Control Section to be used in Miami Dade County and other areas where allowed by the Authority Having Jurisdiction (AHJ).

This NOA shall not be valid after the expiration date stated below. The Miami-Dade County Product Control Section (In Miami Dade County) and/or the AHJ (in areas other than Miami Dade County) reserve the right to have this product or material tested for quality assurance purposes. If this product or material fails to perform in the accepted manner, the manufacturer will incur the expense of such testing and the AHJ may immediately revoke, modify, or suspend the use of such product or material within their jurisdiction. RER reserves the right to revoke this acceptance, if it is determined by Miami-Dade County Product Control Section that this product or material fails to meet the requirements of the applicable building code.

This product is approved as described herein, and has been designed to comply with the High Velocity Hurricane Zone of the Florida Building Code.

DESCRIPTION: "MG-2530" Aluminum Glazed Railing

APPROVAL DOCUMENT: Drawing No. 14-04, titled "Series MG2530 Alum. Glass Railing System", sheets 1 through 4 of 4, prepared by Al-Farooq Corporation, revision #A dated February 26, 2015, signed and sealed by Javad Ahmad, P.E., on February 27, 2015, bearing Miami-Dade County Product Control Approval stamp with the Notice of Acceptance number and the approval date by the Miami-Dade County Product Control Section.

MISSILE IMPACT RATING: Large and Small Missile Impact Resistant

LABELING: Each unit shall bear a permanent label with the manufacturer's name or logo, city, state and the following statement: "Miami-Dade County Product Control Approved", unless otherwise noted herein.

RENEWAL of this NOA shall be considered after a renewal application has been filed and there has been no change in the applicable building code negatively affecting the performance of this product.

TERMINATION of this NOA will occur after the expiration date or if there has been a revision or change in the materials, use, and/or manufacture of the product or process. Misuse of this NOA as an endorsement of any product, for sales, advertising or any other purposes shall automatically terminate this NOA. Failure to comply with any section of this NOA shall be cause for termination and removal of NOA.

ADVERTISEMENT: The NOA number preceded by the words Miami-Dade County, Florida, and followed by the expiration date may be displayed in advertising literature. If any portion of the NOA is displayed, then it shall be done in its entirety.

INSPECTION: A copy of this entire NOA shall be provided to the user by the manufacturer or its distributors and shall be available for inspection at the job site at the request of the Building Official. The structural adequacy of the supporting structures is not part of this approval & shall be reviewed by the corresponding Building Dept.

This NOA consists of this page 1, evidence submitted page E-1 as well as approval document mentioned above. The submitted documentation was reviewed by **Helmy A. Makar, P.E., M.S.**



Helmy A. Makar
03/26/2015

NOA No. 14-1022.02
Expiration Date: 03/26/2020
Approval Date: 03/26/2015

Mr. Glass Doors & Windows, Inc.

NOTICE OF ACCEPTANCE: EVIDENCE SUBMITTED

A. DRAWINGS

1. Drawing No. 14-04, titled "Series MG2530 Alum. Glass Railing System", sheets 1 through 4 of 4, prepared by Al-Farooq Corporation, revision #A dated February 26, 2015, signed and sealed by Javad Ahmad, P.E., on February 27, 2015.

B. TESTS

1. Test Report No. 7861, by Fenestration Testing Laboratory, Inc., dated September 19, 2014, signed and sealed by Idalmis Ortega, P.E.

C. CALCULATIONS

1. Calculation titled "Series MG 2530 Aluminum & Glass Railing", 61 sheets, dated October 02, 2014, prepared by Al Farooq Corporation, signed and sealed by Javad Ahmad, P.E., on October 16, 2014.
2. Calculation titled "Series MG 2530 Aluminum & Glass Railing", 10 sheets, dated February 25, 2015, prepared by Al Farooq Corporation, signed and sealed by Javad Ahmad, P.E., on February 27, 2015.

D. QUALITY ASSURANCE

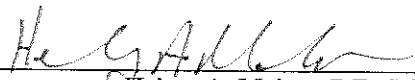
1. By Miami-Dade County Department of Regulatory and Economic Resources.

E. MATERIAL CERTIFICATIONS

1. Die Drawings.
2. Non-Shrink Precision Grout, Product No. 1585-00 by Commercial Grade Quikrete.

F. OTHERS

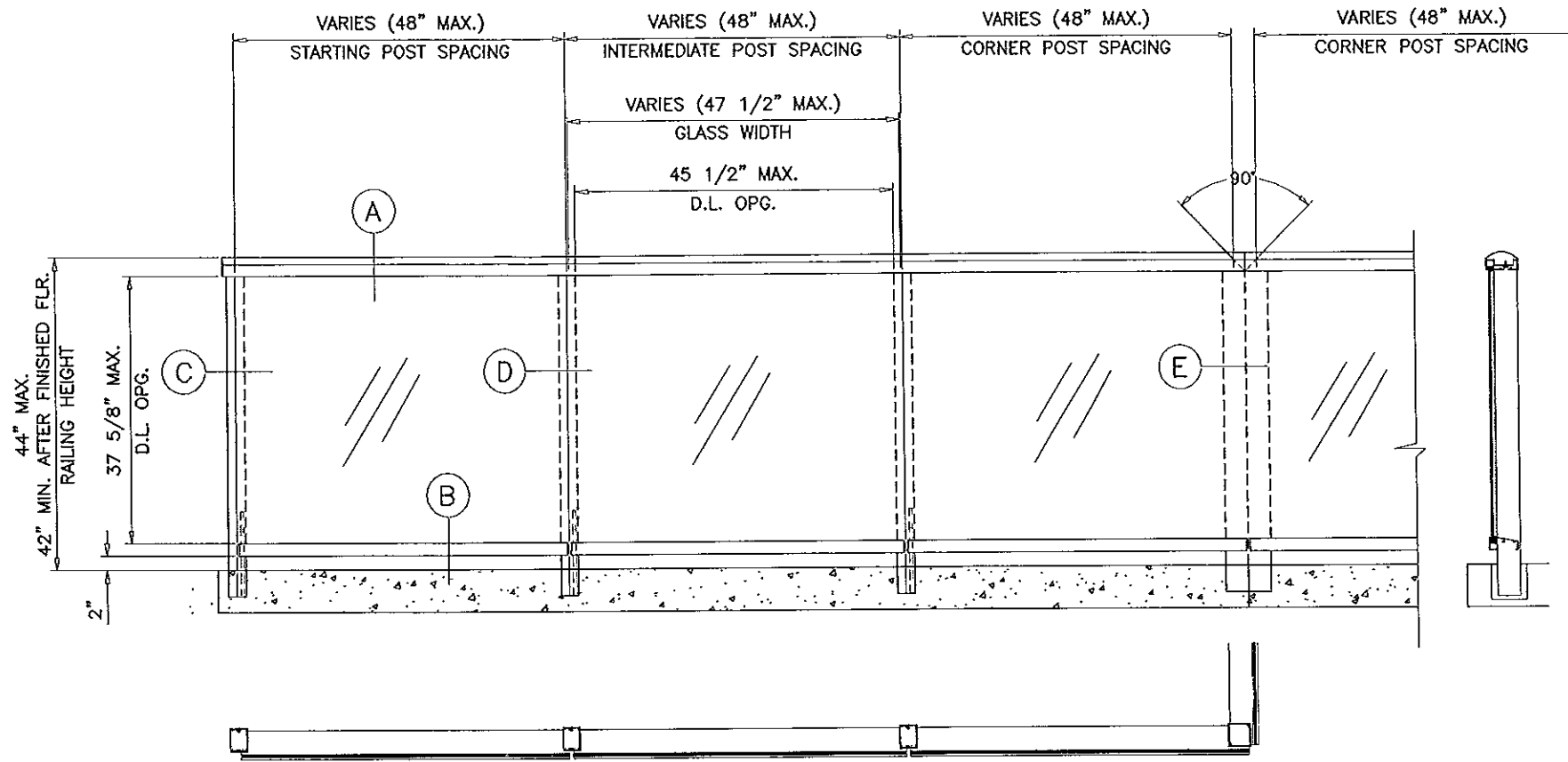
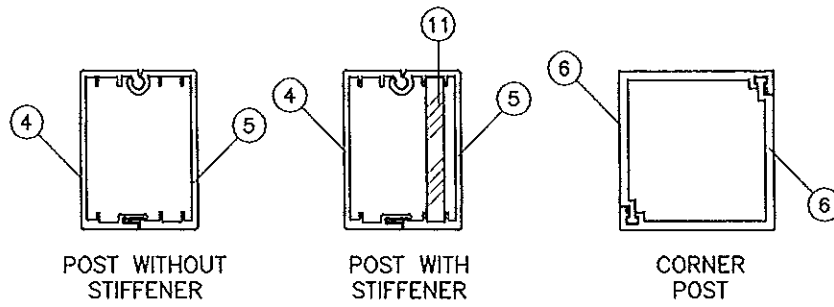
1. Letter of compliance with the FBC Fifth Edition (2014), dated October 08, 2014, issued by Al Farooq Corporation, signed and sealed by Javad Ahmad, P.E., on October 16, 2014.



Helmy A. Makar, P.E., M.S.
Product Control Unit Supervisor
NOA No. 14-1022.02
Expiration Date: 03/26/2020
Approval Date: 03/26/2015

*** POST PERFORMANCE CHART**
DESIGN LOAD CAPACITY-PSF (RAILING HEIGHT = 44 IN.)

POST SPACING	POST WITHOUT STIFFENER	POST WITH STIFFENER	CORNER POST
36"	110.0	-	110.0
42"	110.0	-	110.0
48"	103.0	110.0	110.0



TYPICAL ELEVATION

*** POST EMBEDMENT CHART**
(RAILING HEIGHT = 44 IN.)

CONCRETE	HOLE DIA.	POST EMBED	POST SPACING	LOAD CAPACITY
3000 PSI	5 IN.	4 IN.	36 IN.	80.0 PSF
			42 IN.	70.0 PSF
			48 IN.	60.0 PSF
	6 IN.	4 IN.	36 IN.	95.0 PSF
			42 IN.	84.0 PSF
			48 IN.	72.0 PSF
4000 PSI	5 IN.	4 IN.	36 IN.	110.0 PSF
			42 IN.	93.0 PSF
			48 IN.	82.0 PSF
	6 IN.	4 IN.	36 IN.	110.0 PSF
			42 IN.	110.0 PSF
			48 IN.	100.0 PSF
5000 PSI	5 IN.	4 IN.	36 IN.	110.0 PSF
			42 IN.	110.0 PSF
			48 IN.	100.0 PSF
	6 IN.	4 IN.	36 IN.	110.0 PSF
			42 IN.	110.0 PSF
			48 IN.	107.0 PSF
5000 PSI	5 IN.	4-1/4 IN.	36 IN.	110.0 PSF
			42 IN.	110.0 PSF
			48 IN.	100.0 PSF
	6 IN.	4-1/4 IN.	36 IN.	110.0 PSF
			42 IN.	110.0 PSF
			48 IN.	110.0 PSF

*** INSTRUCTIONS:**

- USE CHARTS AS FOLLOWS.
- STEP 1** DETERMINE DESIGN WIND LOAD REQUIREMENTS BASED ON WIND VELOCITY, BLDG. HEIGHT, WIND ZONE USING APPLICABLE ASCE 7 STANDARD.
 - STEP 2** USE POST PERFORMANCE CHART TO VERIFY POST CAPACITY FOR THE REQUIRED DESIGN LOAD.
 - STEP 3** USE POST EMBEDMENT CHART TO CHECK POST SPACING AND REQUIRED EMBEDMENT.
 - STEP 4** THE LOWER VALUE RESULTING FROM STEPS 2 AND 3 SHALL APPLY TO ENTIRE SYSTEM.

SERIES MG2530
ALUMINUM GLASS RAILING SYSTEM

THIS PRODUCT HAS BEEN DESIGNED AND TESTED TO COMPLY WITH THE REQUIREMENTS OF THE HIGH VELOCITY HURRICANE ZONE (HVHZ) FLORIDA BUILDING CODE (FBC) FIFTH EDITION (2014).

DESIGN CRITERIA FOR ALUMINUM, MINIMUM MECHANICAL PROPERTIES AND SAFETY FACTORS ARE IN ACCORDANCE WITH THE "ALUMINUM CONSTRUCTION MANUAL" LATEST EDITION.

ALUMINUM ALLOYS: ALL EXTRUSIONS SHALL BE ALLOY AS SHOWN. ALL FASTENERS TO BE NON-MAGNETIC STAINLESS STEEL.

ANCHORING OR LOADING CONDITIONS OTHER THAN THOSE SHOWN IN THESE DETAILS ARE NOT PART OF THIS APPROVAL.

MATERIALS INCLUDING BUT NOT LIMITED TO STEEL/METAL SCREWS, THAT COME INTO CONTACT WITH OTHER DISSIMILAR MATERIALS SHALL MEET THE REQUIREMENTS OF THE FLORIDA BUILDING CODE.

Engr: JAVAD AHMAD
CML
FLA. PE # 70592
C.A.N. 4538

FEB 27 2015

Approved as complying with the Florida Building Code
Date: 03/26/2015
NOA/14-1022-02
Miami Dade Product Control
By: *[Signature]*

af c

AL-FAROOQ CORPORATION
ENGINEERS & PRODUCT DEVELOPMENT
1235 S.W. 87 AVE
MIAMI, FLORIDA 33174
TEL. (305) 264-8100 FAX. (305) 262-6978
RAILING 14-04MG

SERIES MG2530 ALUM GLASS RAILING SYSTEM

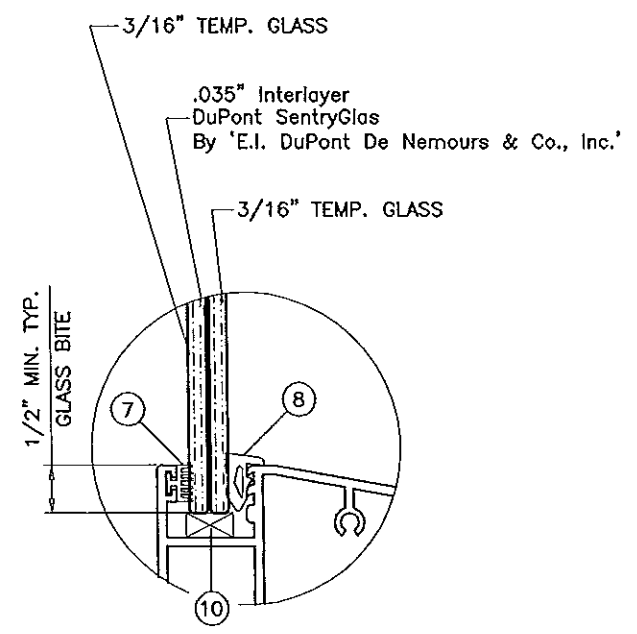
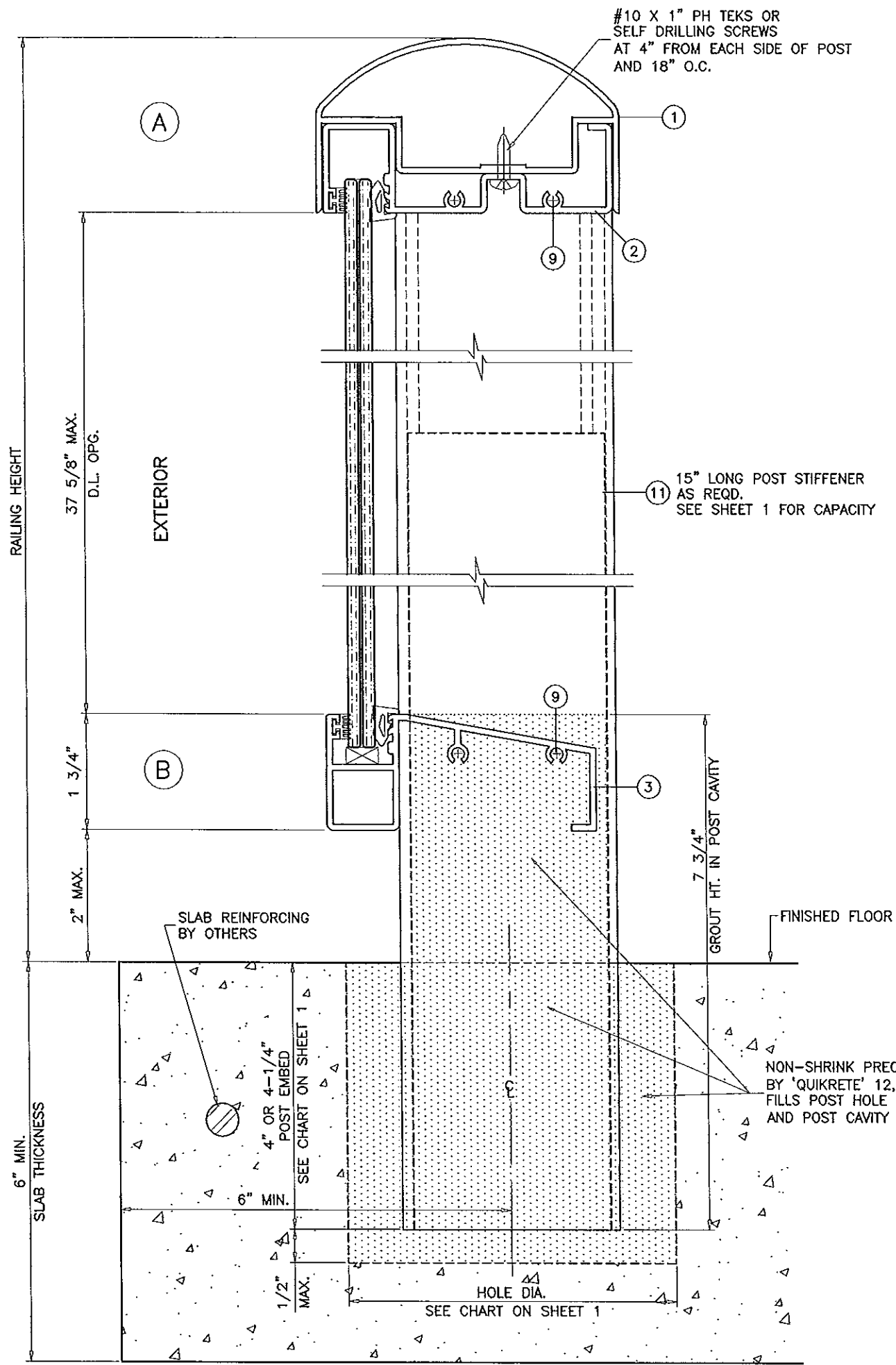
MR. GLASS DOORS & WINDOWS INC.
7440 N.W. 66 STREET
MIAMI, FL. 33166
TEL. (305) 470-8284 FAX. (305) 470-8285

NO.	DATE	BY	DESCRIPTION	REV. PER	COMMENTS
A	02.26.15				

revisions:

date: 10-03-14
scale: 1/2"=1'-0"
dr. by: TARIO
chk. by:

drawing no. **14-04**
sheet 1 of 4



GLASS DETAIL
7/16" OVERALL LAM. GLASS

Engr: JAVAD AHMAD
CML
FLA. PE # 70592
C.A.N. 3538

FEB 27 2015

Approved as complying with the
Florida Building Code
Date 03/26/2015
NOAH 14-1022.02
Miami Dade Product Control

By: *[Signature]*

afc

AL-FAROOQ CORPORATION
ENGINEERS & PRODUCT DEVELOPMENT
1235 S.W. 87 AVE
MIAMI, FLORIDA 33174
TEL. (305) 264-8100 FAX. (305) 262-6978
RAILING 14-04MG

SERIES MG2530 ALUM GLASS RAILING SYSTEM

MR. GLASS DOORS & WINDOWS INC.
7440 N.W. 66 STREET
MIAMI, FL 33166
TEL. (305) 470-8284 FAX. (305) 470-8285

NO	DATE	BY	DESCRIPTION
A	02.26.15		REV. PER PER COMMENTS

revisions:

date: 10-03-14

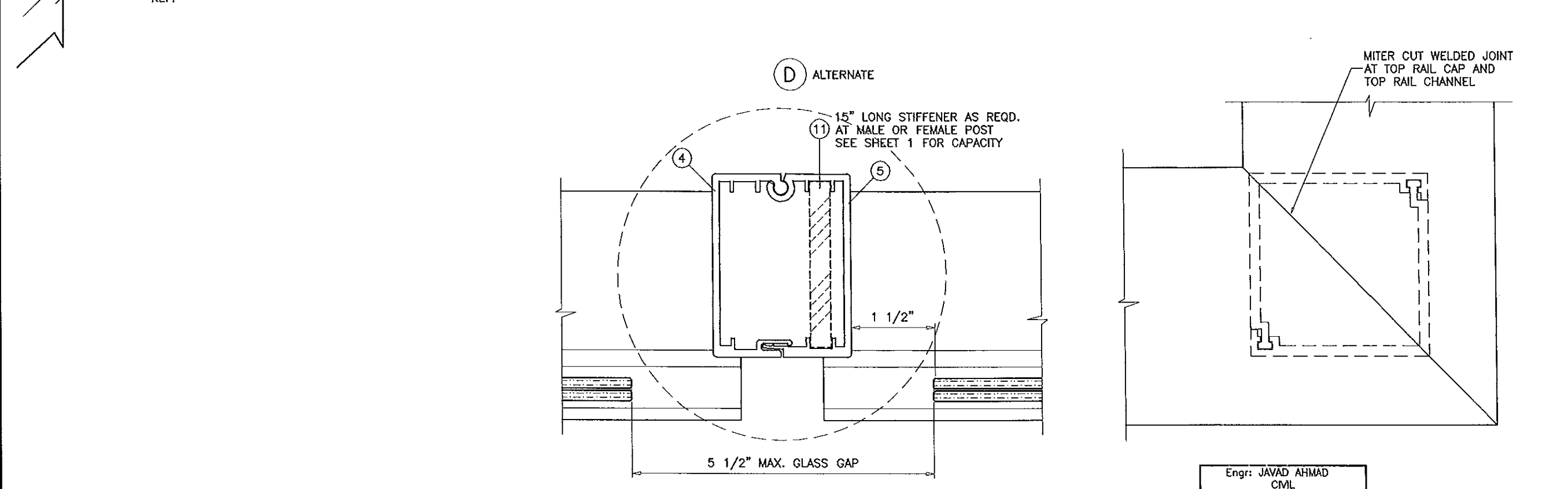
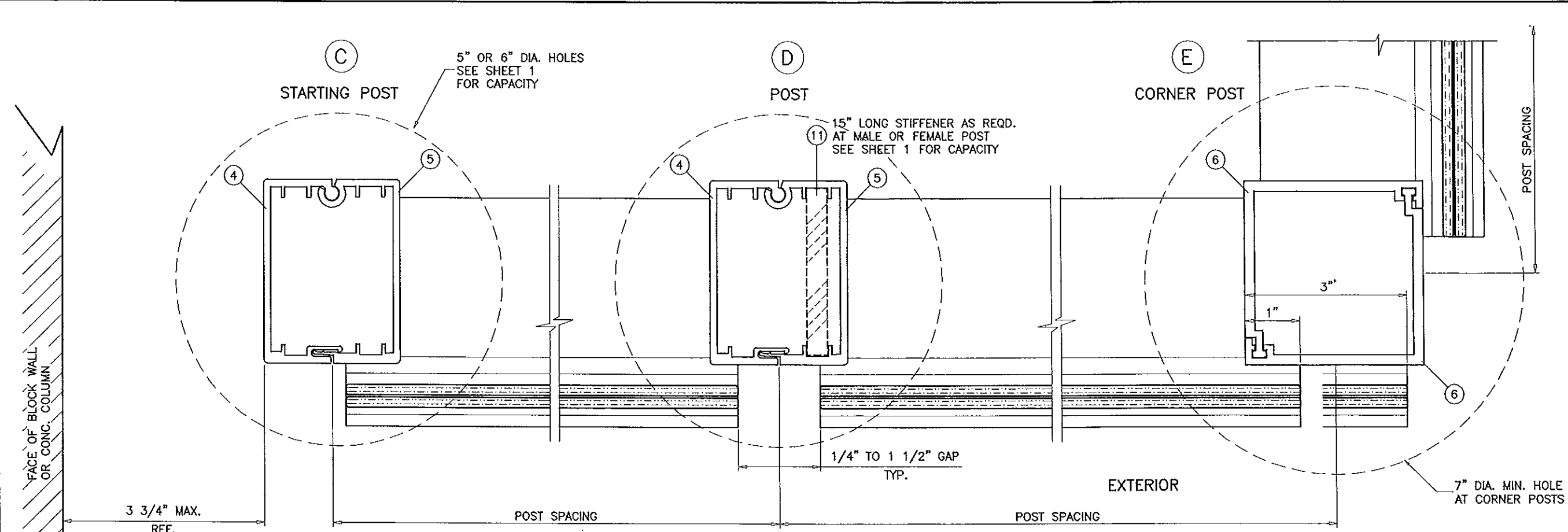
scale: 1/2" = 1"

dr. by: TARIQ

chk. by:

drawing no.
14-04

sheet 2 of 4



af c
AL-FAROOQ CORPORATION
 ENGINEERS & PRODUCT DEVELOPMENT
 1235 S.W. 87 AVE
 MIAMI, FLORIDA 33174
 TEL (305) 264-8100 FAX (305) 262-6978
 RAILING 14-04MG

SERIES MG2530 ALUM GLASS RAILING SYSTEM
MR. GLASS DOORS & WINDOWS INC.
 7440 N.W. 66 STREET
 MIAMI, FL. 33166
 TEL (305) 470-8284 FAX (305) 470-8285

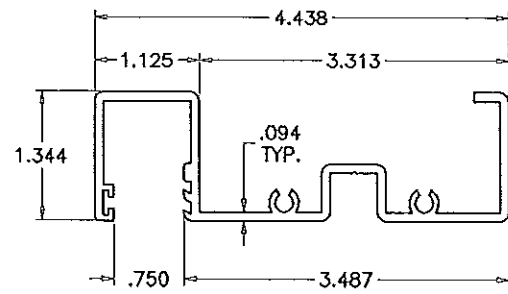
NO	DATE	BY	DESCRIPTION
A	02.26.15		NO CHANGE THIS SHEET

date: 10-03-14
 scale: 1/2" = 1"
 dr. by: TARIQ
 chk. by:

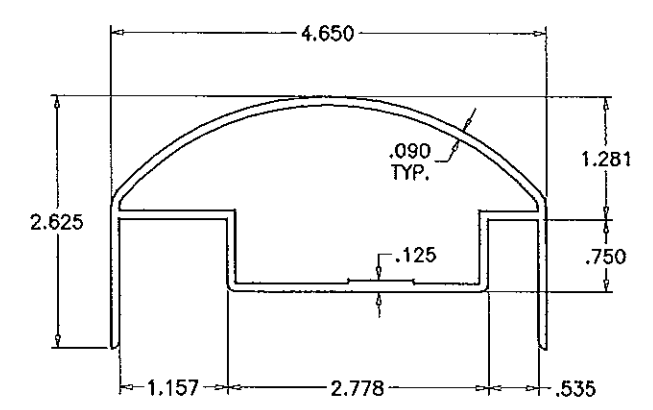
Engr: JAVAD AHMAD
 CML
 FLA. PE # 70592
 C.A.N. 3538
 FEB 27 2015

Approved as complying with the
 Florida Building Code
 Date 03/26/2015
 NOA# 14-1022-02
 Miami Dade Product Control
 By *Healy A. Miller*

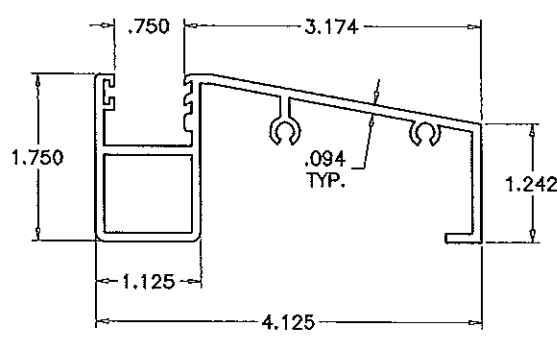
drawing no.
14-04
 sheet 3 of 4



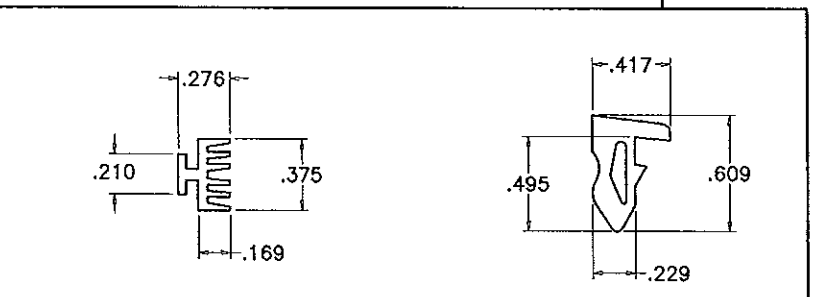
② TOP RAIL CHANNEL



① TOP RAIL CAP

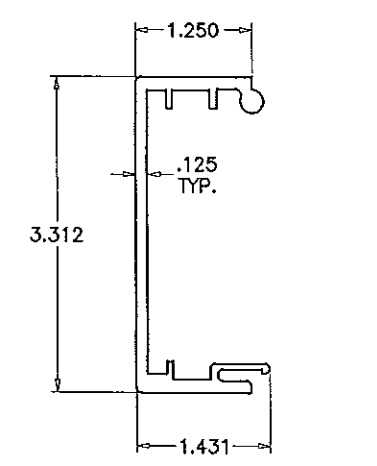


③ BOTTOM RAIL

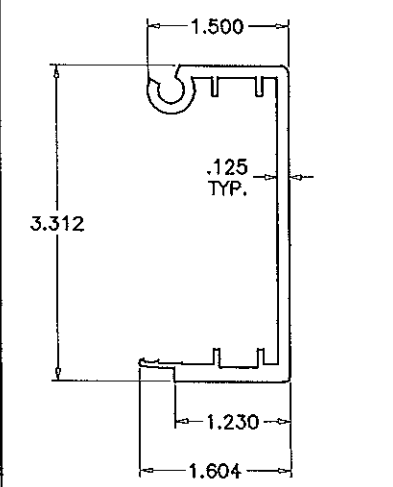


⑦ EXTERIOR GLAZING GASKET
SCALE 1:1

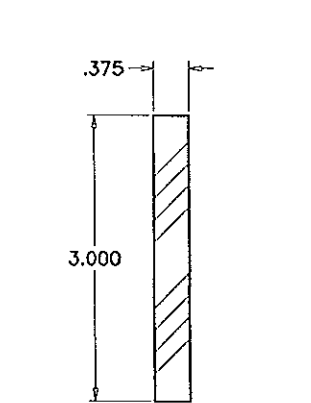
⑧ INTERIOR GLAZING GASKET
SCALE 1:1



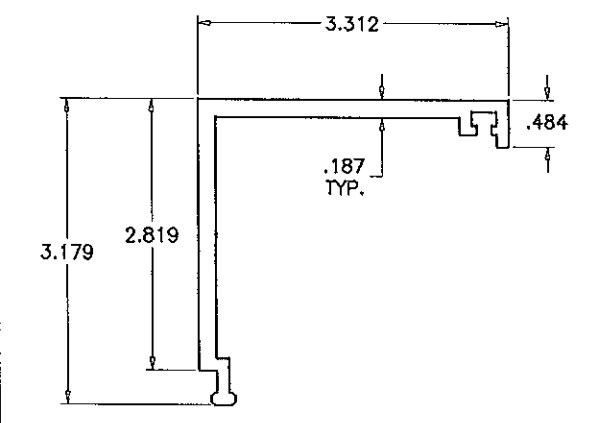
④ FEMALE POST



⑤ MALE POST



⑪ STIFFENER BAR



⑥ CORNER POST

NOTE:
DIMENSIONS SHOWN ARE NOMINAL FROM EXTRUSION DRAWINGS.

ITEM	PART #	DESCRIPTION	MATERIAL	MANF./SUPPLIER/REMARKS
1	MGR-103	TOP RAIL CAP	6063-T5	-
2	MGR-104	TOP RAIL CHANNEL	6063-T5	-
3	MGR-105	BOTTOM RAIL	6063-T6	-
4	MGR-101	FEMALE POST	6005-T5/6061-T6	-
5	MGR-102	MALE POST	6005-T5/6061-T6	-
6	MGR-106	90° CORNER POST	6005-T5/6061-T6	-
7	MGR-107	EXTERIOR GLAZING GASKET	EPDM	DUROMETER 70±5 SHORE A
8	MGR-108	INTERIOR GLAZING GASKET	EPDM	DUROMETER 70±5 SHORE A
9	#12 X 1 1/2"	ASSEMBLY FASTENERS	ST. STEEL	HH SELF DRILLING SCREWS
10	-	SETTING BLOCK (1/2" X 1/4" X 4" LONG) 2 PER LITE	EPDM	DUROMETER 80±5 SHORE A
11	-	STIFFENER BAR, 15" LONG	6061-T6	-

AL-FAROOQ CORPORATION
 ENGINEERS & PRODUCT DEVELOPMENT
 1235 S.W. 87 AVE
 MIAMI, FLORIDA 33174
 TEL. (305) 264-8100 FAX. (305) 262-6978
 RAILING 14-04MG

SERIES MG2530 ALUM GLASS RAILING SYSTEM
MR. GLASS DOORS & WINDOWS INC.
 7440 N.W. 66 STREET
 MIAMI, FL. 33166
 TEL. (305) 470-8284 FAX. (305) 470-8285

NO	date	by	description
A	02.26.15		REV. PER COMMENTS

Engr: JAVAD AHMAD
 CML
 FLA. PE # 70592
 C.A.N. 3538
 FEB 27 2015

Approved as complying with the
 Florida Building Code
 Date 03/26/2015
 NOAH/14-1022-07
 Miami Dade Product Control
 By *[Signature]*

date: 10-03-14
 scale: 1/2" = 1"
 dr. by: TARIO
 chk. by:
 drawing no.
 14-04
 sheet 4 of 4