



# MR. GLASS DOORS AND WINDOWS, INC.

7440 NW 66 STREET MIAMI, FL 33166  
 PH: 305-470-8284 FAX: 305-470-8285  
 EMAIL: INFO@MRGLASSWINDOWS.COM  
 WWW.MRGLASSWINDOWS.COM

SERIES: MG4500  
 DESCRIPTION: ALUMINUM STOREFRONT SYSTEM (N.I.)  
 N.O.A: 11-0720.08

THIS PRODUCT COMPLY WITH THE  
 FLORIDA BUILDING CODE.

REVISIONS	DATE



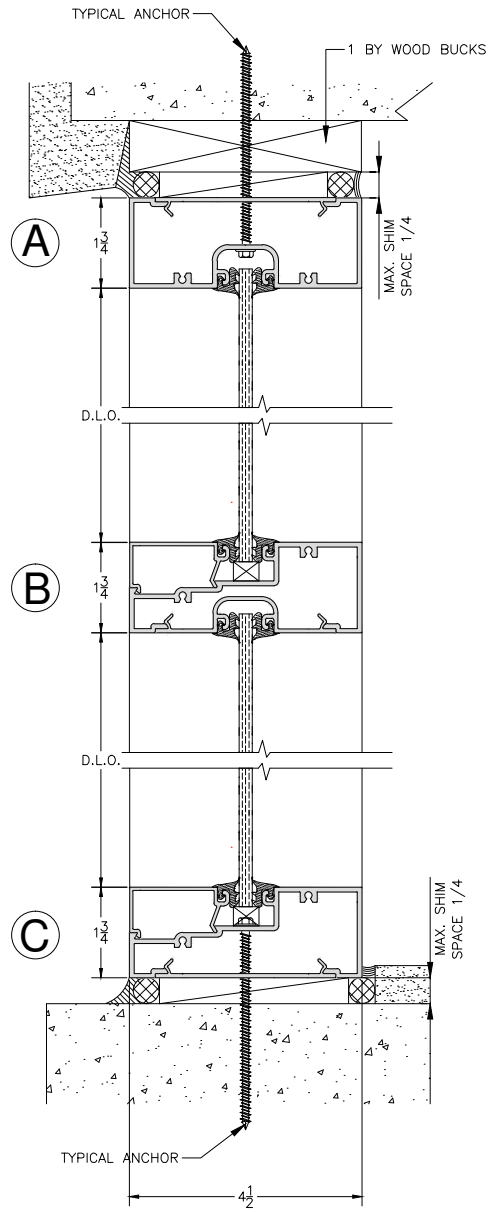
PREPARED BY:  
 MR. GLASS DOORS & WINDOWS, INC.  
 7440 NW 66 ST. MIAMI, FL 33166  
 PH: (305) 470-8284 FAX: (305) 470 8285  
 WWW.MRGLASSWINDOWS.COM

SYSTEM INFORMATION:  
 SERIES-MG4500  
 ALUMINUM STOREFRONT SYSTEM  
 (N.I.)

COVER

CAD FILE:





DATE	04/27/12
REVISIONS	



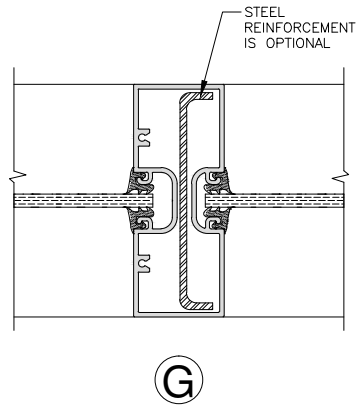
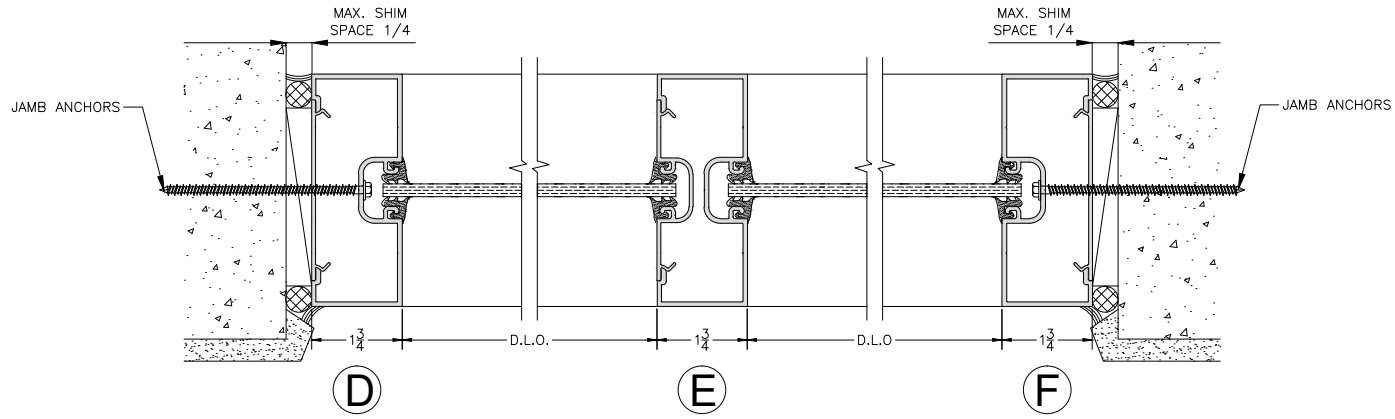
PREPARED BY:

MR. GLASS DOORS & WINDOWS, INC.  
 7440 NW 66 ST. MIAMI, FL 33166  
 PH: (305) 470-8284 FAX: (305) 470 8285  
 WWW.MRGLASSWINDOWS.COM

SYSTEM INFORMATION:

SERIES-MC4500  
 ALUMINUM STOREFRONT SYSTEM  
 (N.I.)

VERTICAL



DATE	
REVISIONS	



PREPARED BY:  
 MR. GLASS DOORS & WINDOWS, INC.  
 7440 NW 66 ST. MIAMI, FL 33166  
 PH: (305) 470-8284 FAX: (305) 470 8285  
 WWW.MRGLASSWINDOWS.COM

SYSTEM INFORMATION:  
 SERIES-MC4500  
 ALUMINUM STOREFRONT SYSTEM  
 (N.I.)

HORIZONTAL

CAD FILE: