



MR. GLASS DOORS AND WINDOWS, INC.

7440 NW 66 STREET MIAMI, FL 33166
 PH: 305-470-8284 FAX: 305-470-8285
 EMAIL: INFO@MRGLASSWINDOWS.COM
 WWW.MRGLASSWINDOWS.COM

SERIES: MG275
 DESCRIPTION: ALUMINUM OUTSWING DOOR (N.I.)
 N.O.A: 11-0720.07

THIS PRODUCT COMPLY WITH THE
 FLORIDA BUILDING CODE.

REVISIONS	DATE



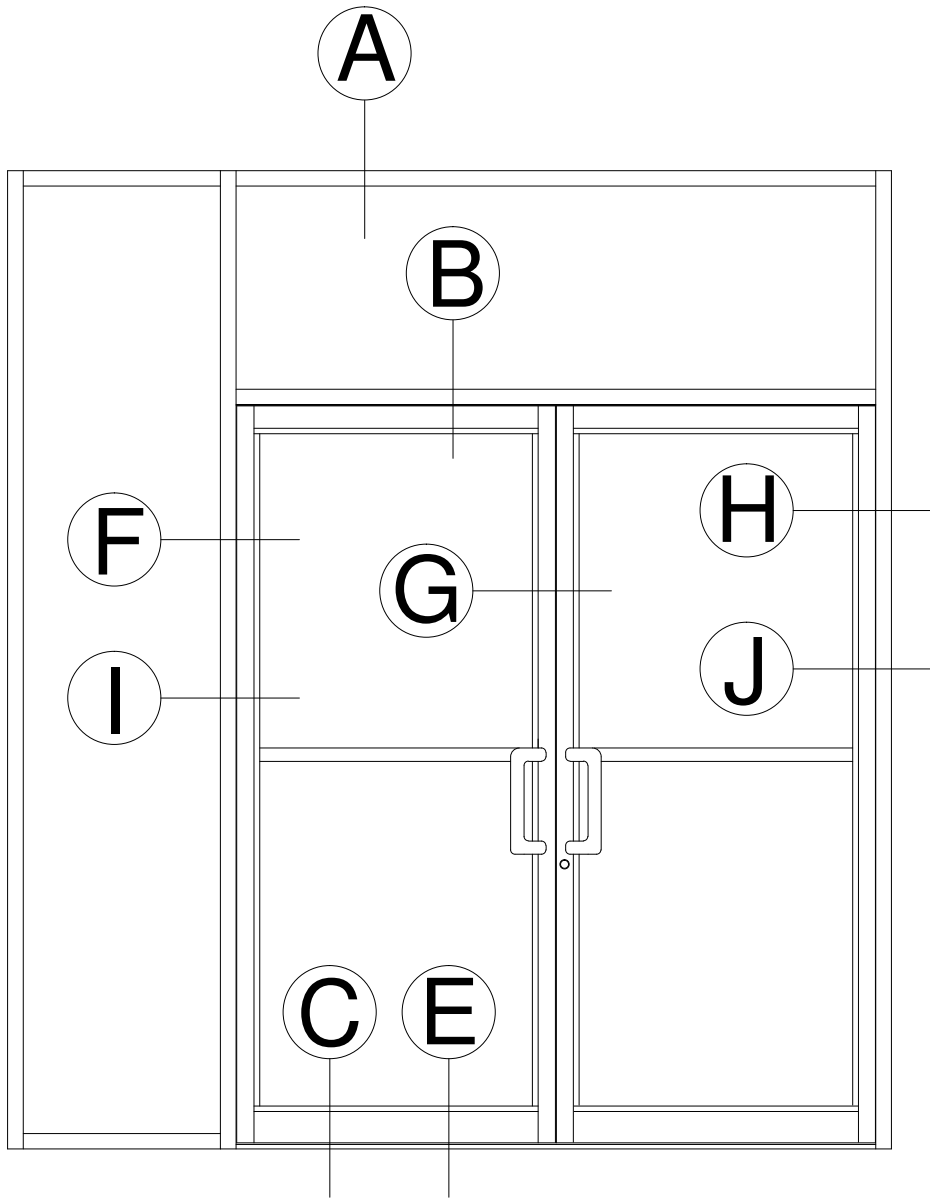
PREPARED BY:
 MR. GLASS DOORS & WINDOWS, INC.
 7440 NW 66 ST. MIAMI, FL 33166
 PH: (305) 470-8284 FAX: (305) 470 8285
 WWW.MRGLASSWINDOWS.COM

SYSTEM INFORMATION:
 SERIES-MG275
 ALUMINUM OUTSWING DOOR
 (N.I.)

COVER

CAD FILE:

1 OF 5



ELEVATION

CAD FILE:

SYSTEM INFORMATION:

SERIES-MG275
ALUMINUM OUTSWING DOOR
(N.I.)

PREPARED BY:

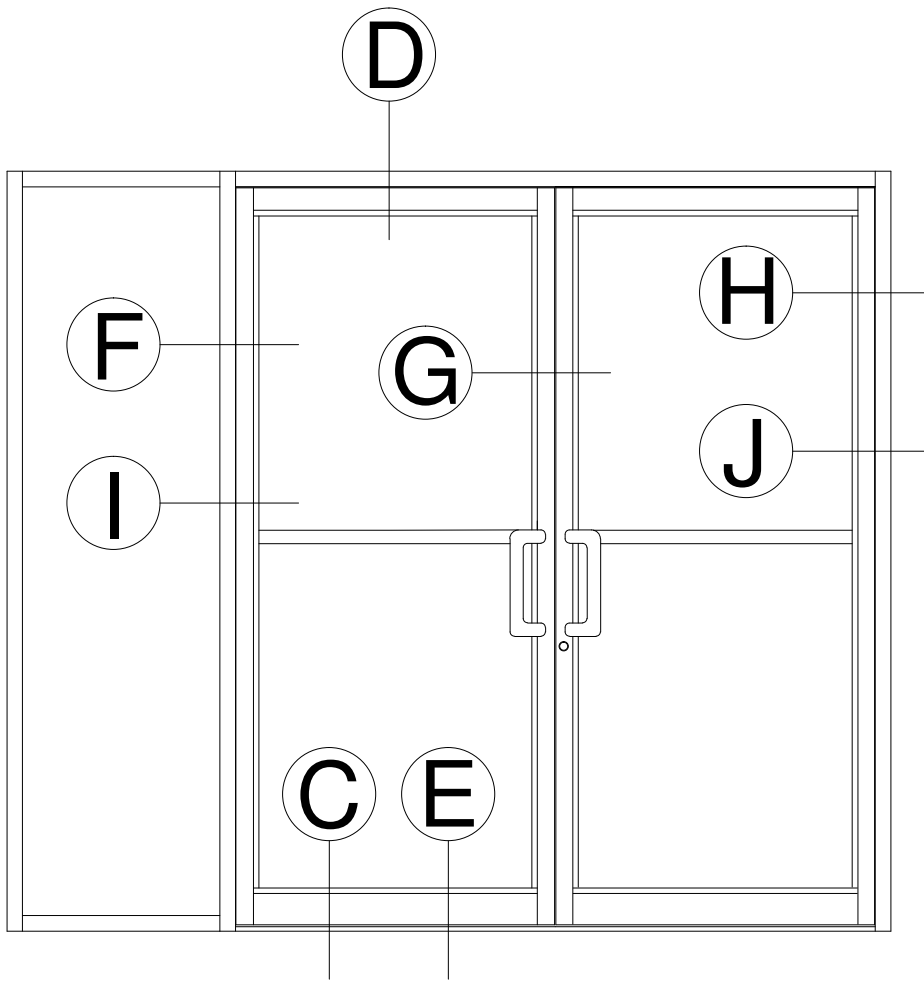
MR. GLASS DOORS & WINDOWS, INC.
7440 NW 66 ST. MIAMI, FL 33166
PH: (305) 470-8284 FAX: (305) 470 8285
WWW.MRGLASSWINDOWS.COM



REVISIONS

REVISIONS	DATE

DRAWN BY: YUDIEL CURRELO DATE: 04/27/12



CAD FILE:

3 OF 5

ELEVATION

SYSTEM INFORMATION:

SERIES-MC275
ALUMINUM OUTSWING DOOR
(N.I.)

PREPARED BY:

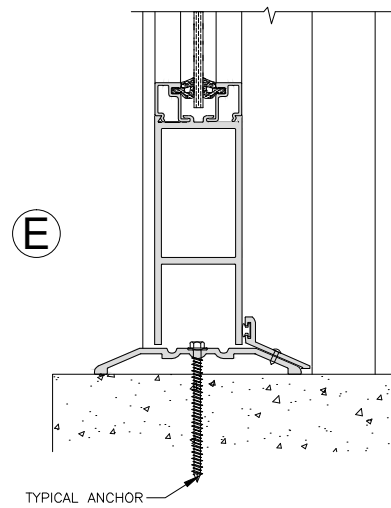
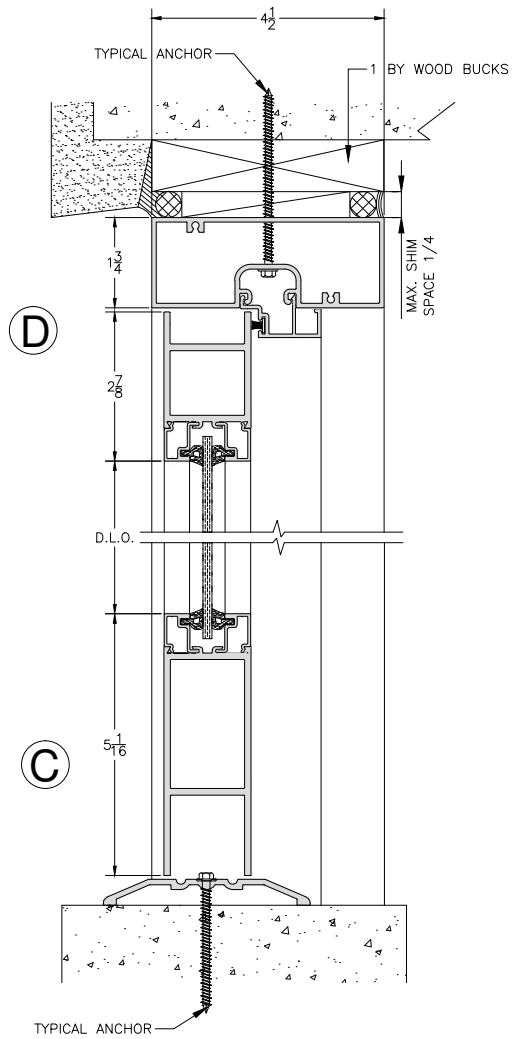
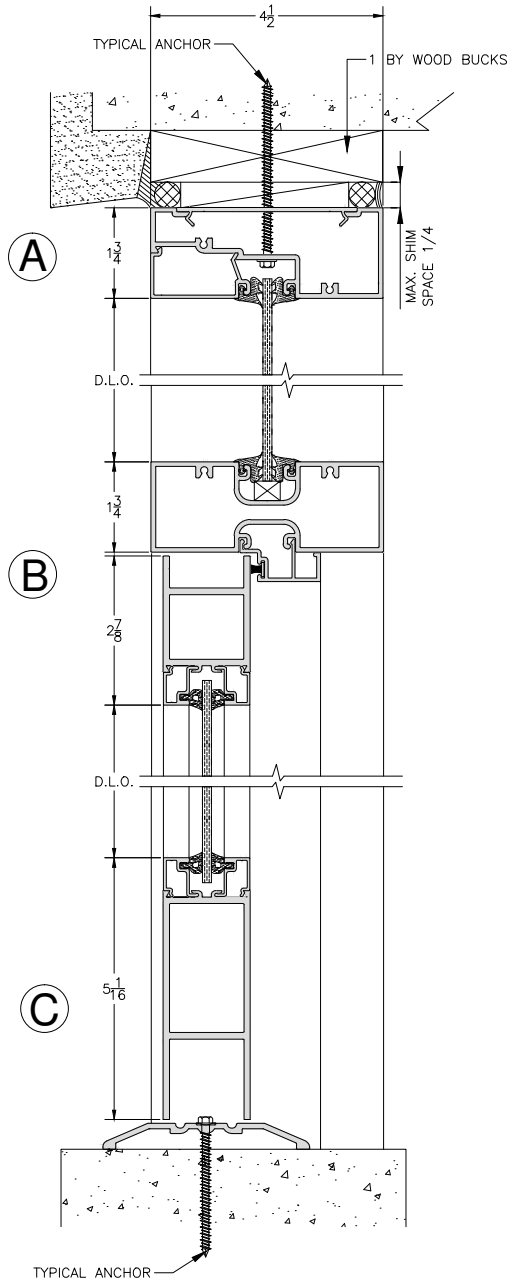
MR. GLASS DOORS & WINDOWS, INC.
7440 NW 66 ST. MIAMI, FL 33166
PH: (305) 470-8284 FAX: (305) 470 8285
WWW.MRGLASSWINDOWS.COM



REVISIONS

DATE

DRAWN BY: YUDIEL CURRELO DATE: 04/27/12



DRAWN BY: YUDIEL CURRELO DATE: 04/27/12

REVISIONS	DATE



PREPARED BY:

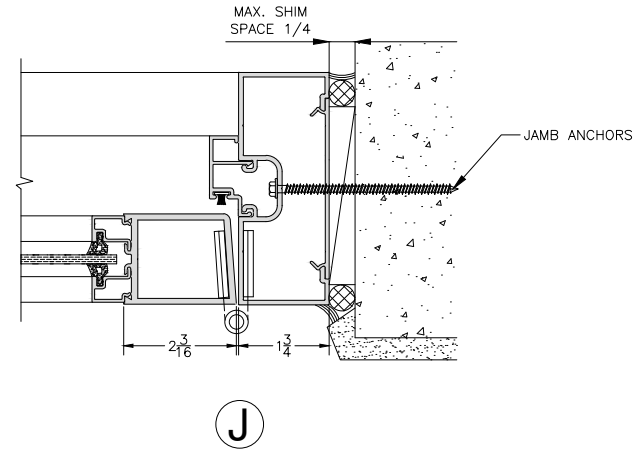
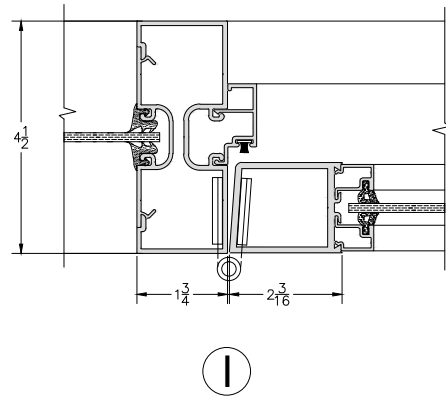
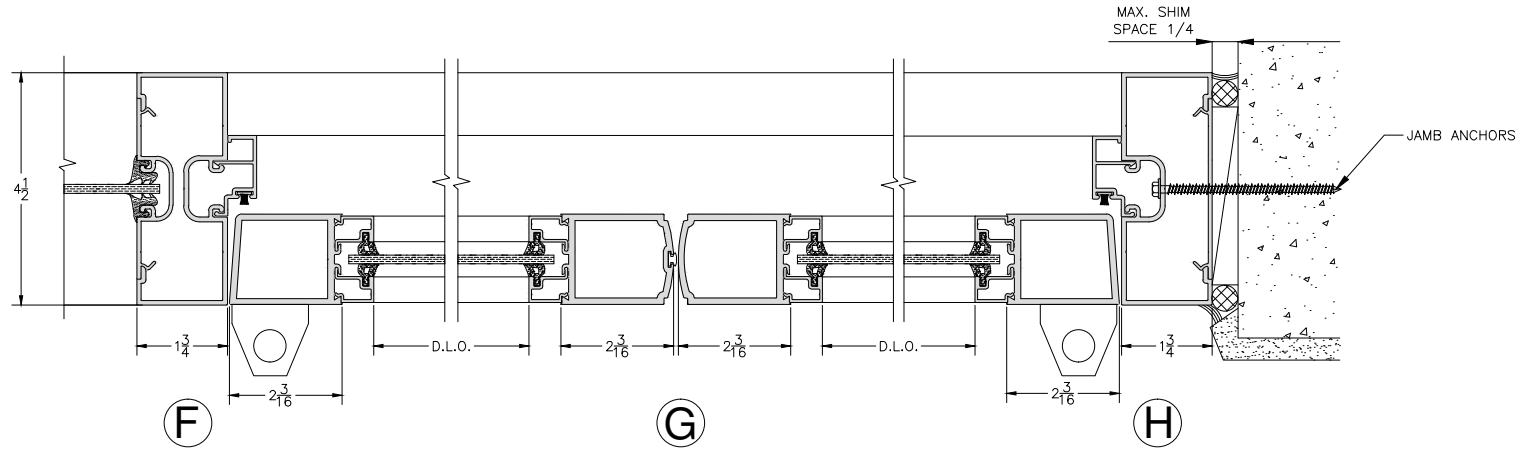
MR. GLASS DOORS & WINDOWS, INC.
 7440 NW 66 ST. MIAMI, FL 33166
 PH: (305) 470-8284 FAX: (305) 470 8285
 WWW.MRGLASSWINDOWS.COM

SYSTEM INFORMATION:

SERIES-MC275
 ALUMINUM OUTSWING DOOR
 (N.I.)

VERTICAL

CAD FILE:



REVISIONS	DATE



PREPARED BY:
 MR. GLASS DOORS & WINDOWS, INC.
 7440 NW 66 ST. MIAMI, FL 33166
 PH: (305) 470-8284 FAX: (305) 470 8285
 WWW.MRGLASSWINDOWS.COM

SYSTEM INFORMATION:
 SERIES-MG275
 ALUMINUM OUTSWING DOOR
 (N.I.)

HORIZONTAL

CAD FILE: