

# MR. GLASS DOORS & WINDOWS, INC.

7440 NW 66 ST. MIAMI, FL 33166

PH: (305) 470-8284 FAX: (305) 470-8285

EMAIL: INFO@MRGLASSWINDOWS.COM

SERIES: MG7000

DESCRIPTION: ALUMINUM CURTAIN WALL SYSTEM (L.M.I.)

N.O.A. # 13-0930.12

THIS PRODUCT COMPLY WITH THE  
FLORIDA BUILDING CODE

DRAWN BY: YUDIEL CURBELO

N.	REVISION	DATE
1		
2		
3		
4		

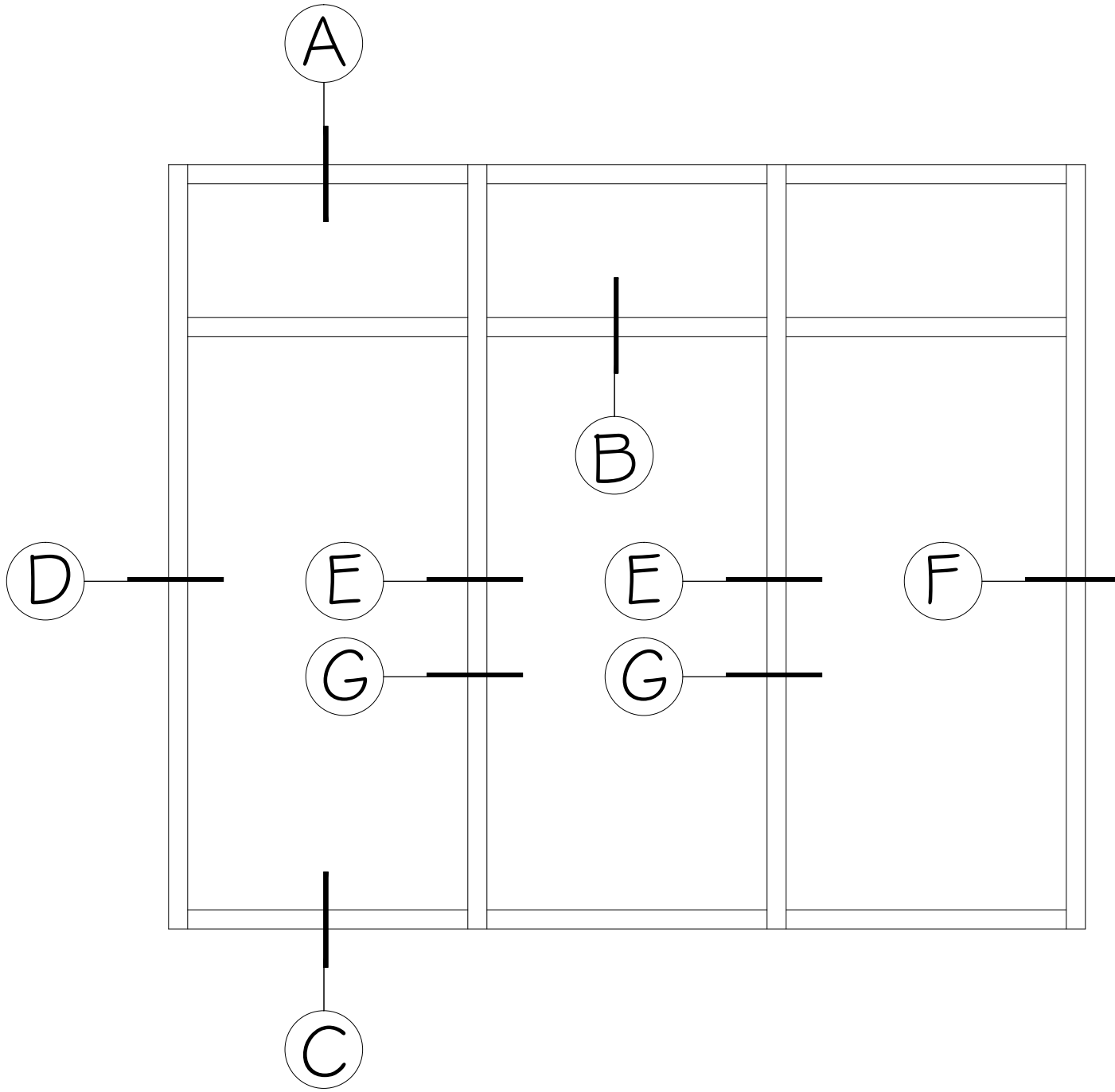


PREPARED BY  
MR. GLASS DOORS & WINDOWS, INC.  
7440 NW 66 ST. MIAMI FL 33166  
PH: (305) 470-8284 FAX: (305) 470-8285  
WWW.MRGLASSWINDOWS.COM

PROJECT INFORMATION  
SERIES: MG7000  
DESCRIPTION: ALUMINUM CURTAIN  
WALL SYSTEM (L.M.I.)  
N.O.A. # 13-0930.12

COVER

DATE: 10/22/2013



DATE: 10/22/2013

ELEVATION

PROJECT INFORMATION  
 SERIES: MG7000  
 DESCRIPTION: ALUMINUM CURTAIN  
 WALL SYSTEM (L.M.I.)  
 N.O.A. # 13-0930.12

PREPARED BY

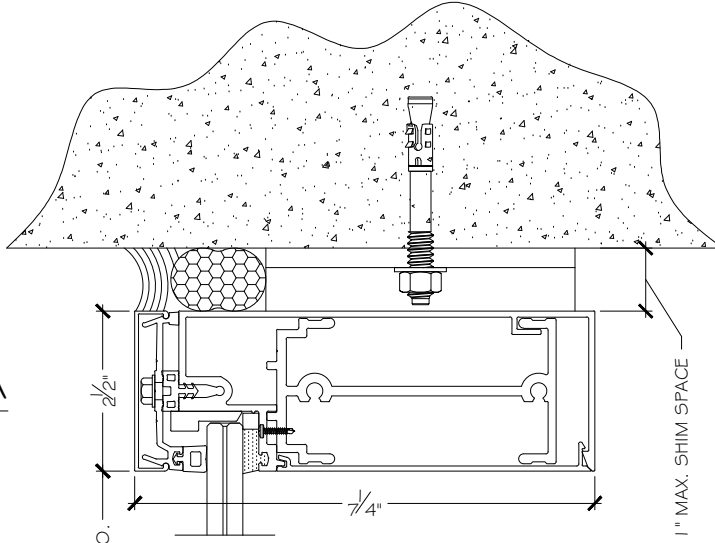
MR. GLASS DOORS & WINDOWS, INC.  
 7440 NW 66 ST., MIAMI FL 33166  
 PH: (305) 470-8284 FAX: (305) 470-8285  
 WWW.MRGLASSWINDOWS.COM



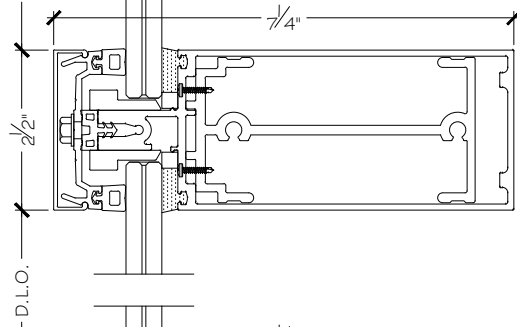
DRAWN BY: YUDIEL CURBELO

N.	REVISION	DATE
1		
2		
3		
4		

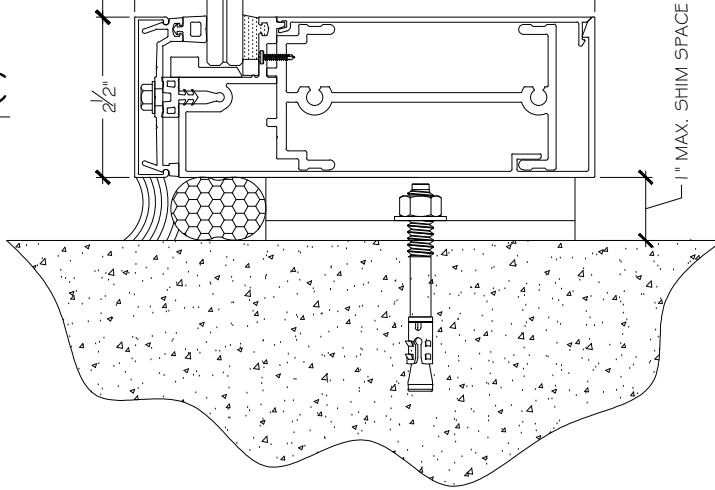
DETAIL: A



DETAIL: B



DETAIL: C



DRAWN BY: YUDIEL CURBELO

N.	REVISION	DATE
1		
2		
3		
4		



PREPARED BY

MR. GLASS DOORS & WINDOWS, INC.  
 7440 NW 66 ST. MIAMI FL 33166  
 PH: (305) 470-8284 FAX: (305) 470-8285  
 WWW.MRGLASSWINDOWS.COM

PROJECT INFORMATION

SERIES: MG7000  
 DESCRIPTION: ALUMINUM CURTAIN  
 WALL SYSTEM (L.M.I.)  
 N.O.A. # 13-0930.12

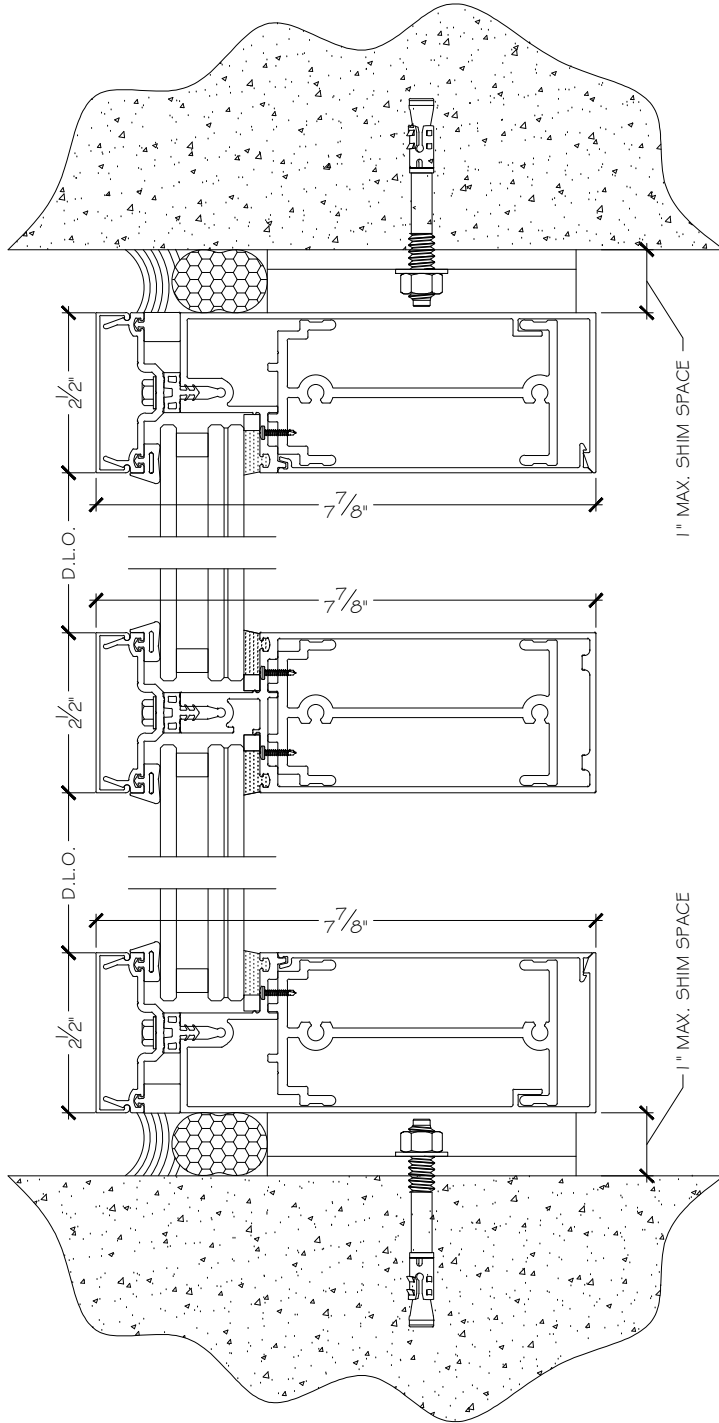
VERTICAL

DATE: 10/22/2013

DETAIL: A

DETAIL: B

DETAIL: C



PREPARED BY

MR. GLASS DOORS & WINDOWS, INC.  
 7440 NW 66 ST. MIAMI FL 33166  
 PH: (305) 470-8284 FAX: (305) 470-8285  
 WWW.MRGLASSWINDOWS.COM

PROJECT INFORMATION

SERIES: MG7000  
 DESCRIPTION: ALUMINUM CURTAIN  
 WALL SYSTEM (L.M.I.)  
 N.O.A. # 13-0930.12

VERTICAL

DATE: 10/22/2013

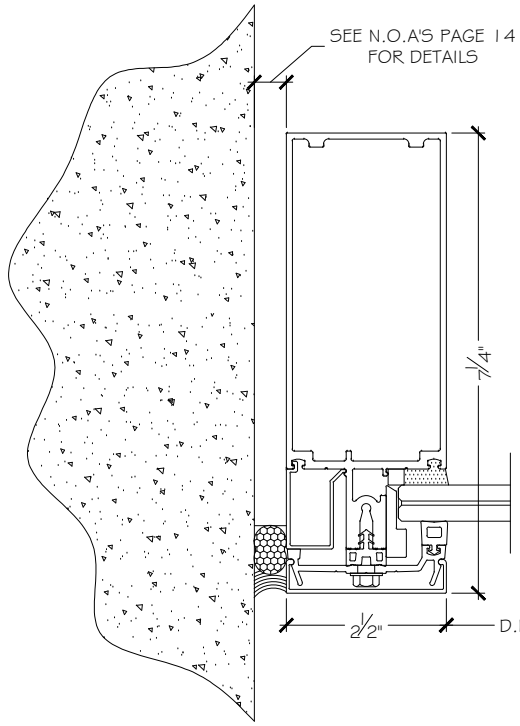
4 OF 7



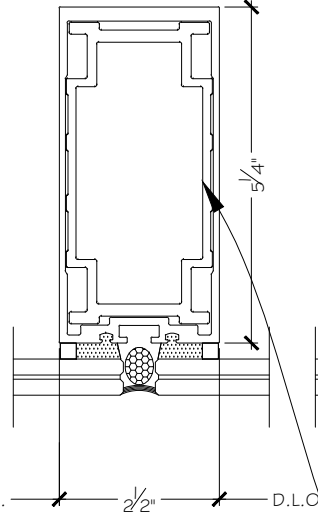
DRAWN BY: YUDIEL CURBELO

N.	REVISION	DATE
1		
2		
3		
4		

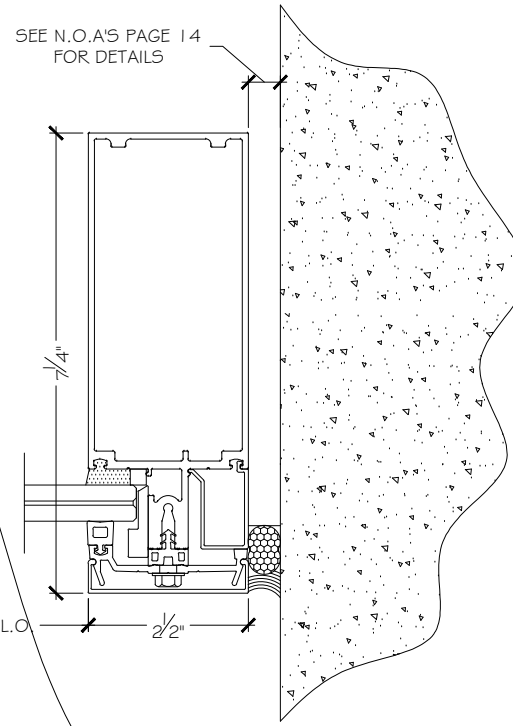
DETAIL: D



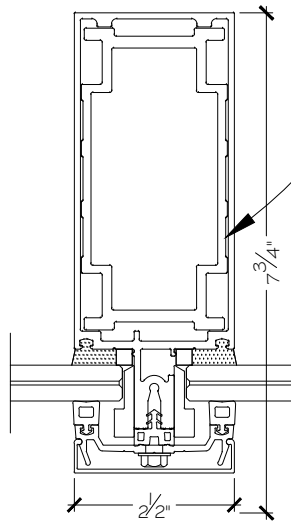
DETAIL: E



DETAIL: F



DETAIL: G



REINFORCING AS  
REQUIRED SEE  
N.O.A. FOR DETAILS

DRAWN BY: YUDIEL CURBELO

N.	REVISION	DATE
1		
2		
3		
4		



PREPARED BY

MR. GLASS DOORS & WINDOWS, INC.  
7440 NW 66 ST. MIAMI, FL 33166  
PH: (305) 470-8284 FAX: (305) 470-8285  
WWW.MRGLASSWINDOWS.COM

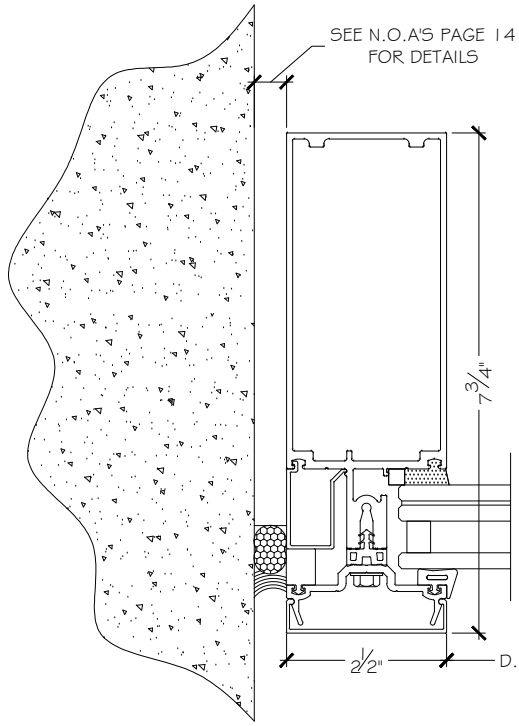
PROJECT INFORMATION

SERIES: MG7000  
DESCRIPTION: ALUMINUM CURTAIN  
WALL SYSTEM (L.M.I.)  
N.O.A. # 13-0930.12

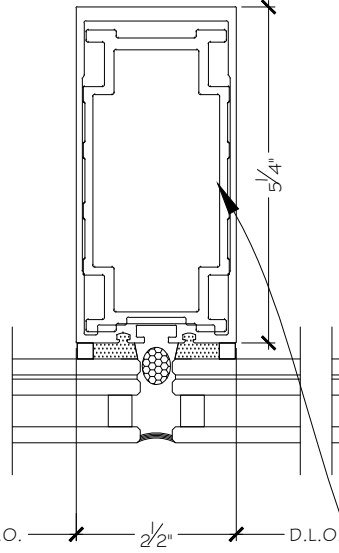
HORIZONTAL

DATE: 10/22/2013

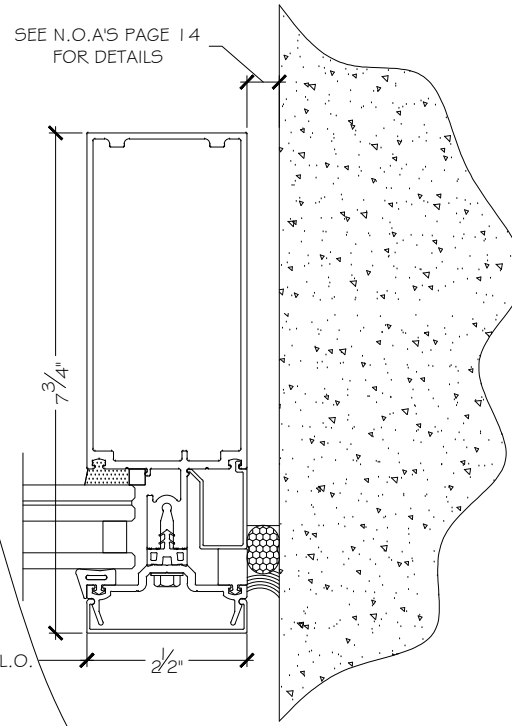
DETAIL: D



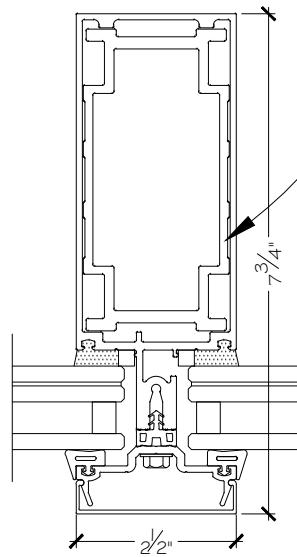
DETAIL: E



DETAIL: F



DETAIL: G



REINFORCING AS  
REQUIRED SEE  
N.O.A. FOR DETAILS

DRAWN BY: YUDIEL CURBELO

N.	REVISION	DATE
1		
2		
3		
4		



PREPARED BY

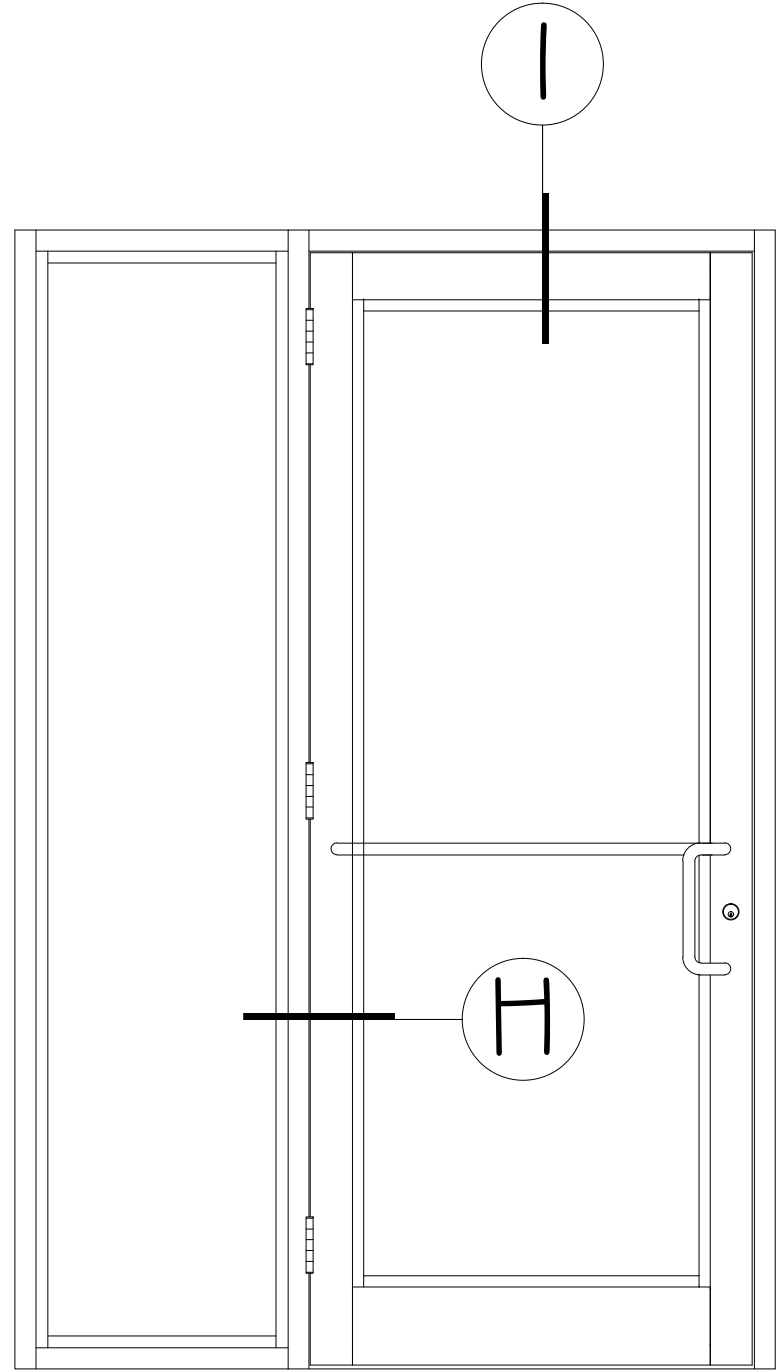
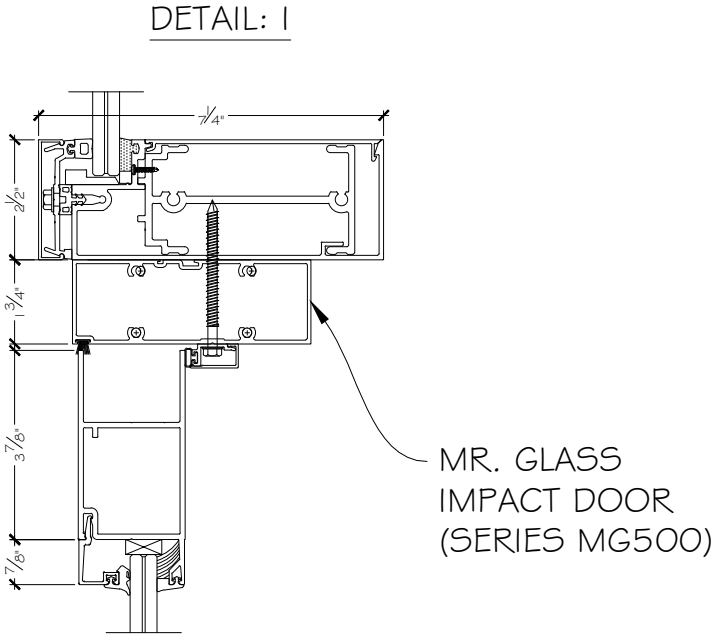
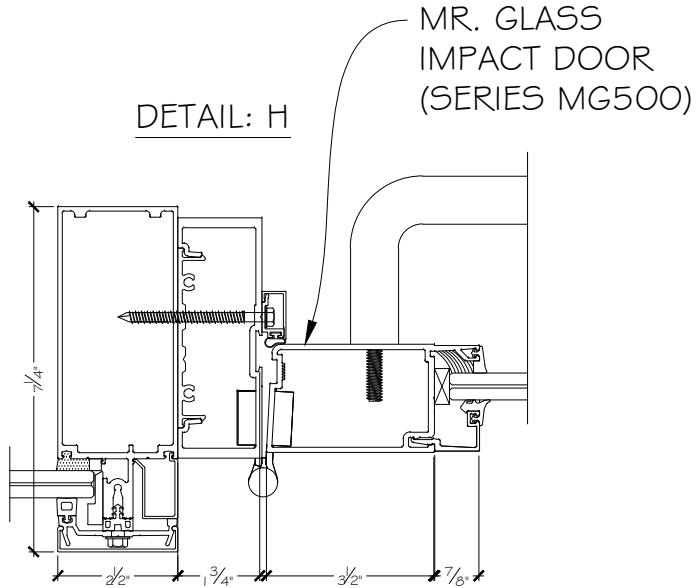
MR. GLASS DOORS & WINDOWS, INC.  
7440 NW 66 ST. MIAMI FL 33166  
PH: (305) 470-8284 FAX: (305) 470-8285  
WWW.MRGLASSWINDOWS.COM

PROJECT INFORMATION

SERIES: MG7000  
DESCRIPTION: ALUMINUM CURTAIN  
WALL SYSTEM (L.M.I.)  
N.O.A. # 13-0930.12

HORIZONTAL

DATE: 10/22/2013



DRAWN BY: YUDIEL CURBELO

N.	REVISION	DATE
1		
2		
3		
4		



PREPARED BY

MR. GLASS DOORS & WINDOWS, INC.  
7440 NW 66 ST. MIAMI FL 33166  
PH: (305) 470-8284 FAX: (305) 470-8285  
WWW.MRGLASSWINDOWS.COM

PROJECT INFORMATION

SERIES: MG7000  
DESCRIPTION: ALUMINUM CURTAIN  
WALL SYSTEM (L.M.I.)  
N.O.A. # 13-0930.12

DOOR

DATE: 10/22/2013