

MR. GLASS DOORS & WINDOWS, INC.

7440 NW 66 ST. MIAMI, FL 33166

PH: (305) 470-8284 FAX: (305) 470-8285

EMAIL: INFO@MRGLASSWINDOWS.COM

SERIES: MG5000

DESCRIPTION: ALUMINUM WINDOW WALL SYSTEM (L.M.I.)

N.O.A. # 13-0107.03

THIS PRODUCT COMPLY WITH THE
FLORIDA BUILDING CODE

DRAWN BY: YUDIEL CURBELO

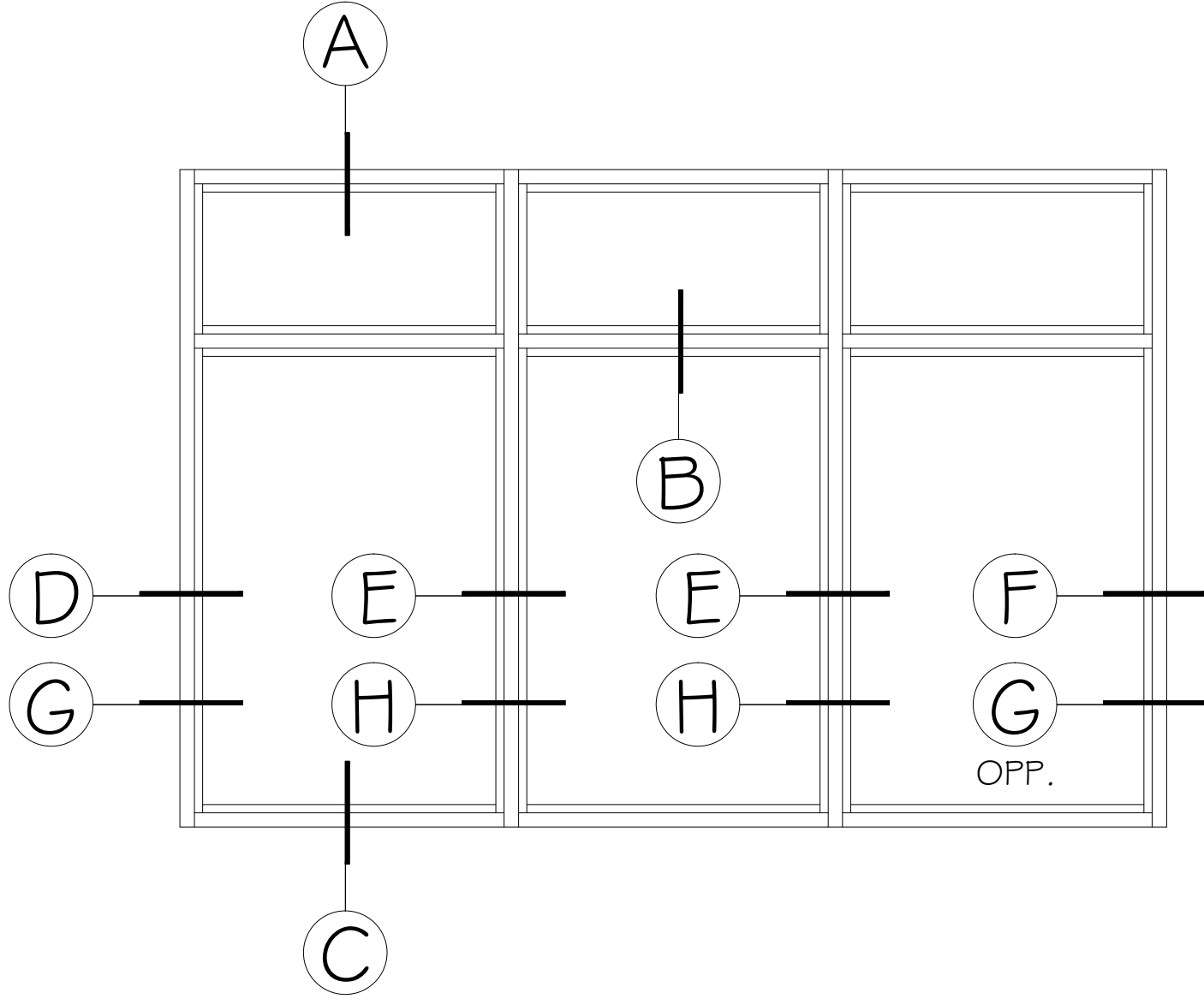
N.	REVISION	DATE
1		
2		
3		
4		



PREPARED BY
MR. GLASS DOORS & WINDOWS, INC.
7440 NW 66 ST. MIAMI FL 33166
PH: (305) 470-8284 FAX: (305) 470-8285
WWW.MRGLASSWINDOWS.COM

PROJECT INFORMATION
SERIES: MG5000
DESCRIPTION: ALUMINUM WINDOW
WALL (L.M.I.)
N.O.A. # 13-0107.03

COVER
DATE: 10/22/2013



DRAWN BY: YUDIEL CURBELO

N.	REVISION	DATE
1		
2		
3		
4		



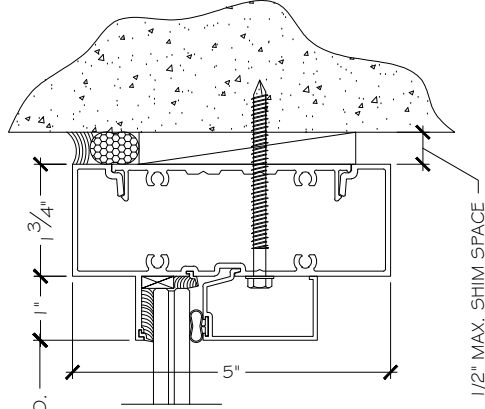
PREPARED BY
 MR. GLASS DOORS & WINDOWS, INC.
 7440 NW 66 ST. MIAMI FL 33166
 PH: (305) 470-8284 FAX: (305) 470-8285
 WWW.MRGLASSWINDOWS.COM

PROJECT INFORMATION
 SERIES: MG5000
 DESCRIPTION: ALUMINUM WINDOW
 WALL (L.M.I.)
 N.O.A. # 13-0107.03

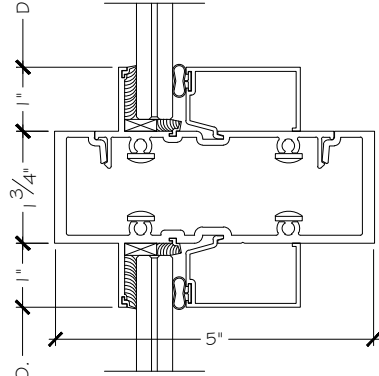
ELEVATION

DATE: 10/22/2013

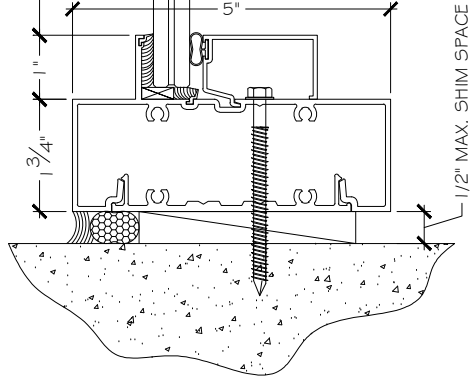
DETAIL: A



DETAIL: B



DETAIL: C



DRAWN BY: YUDIEL CURBELO

N.	REVISION	DATE
1		
2		
3		
4		

PREPARED BY

MR. GLASS DOORS & WINDOWS, INC.
 7440 NW 66 ST. MIAMI FL 33166
 PH: (305) 470-8284 FAX: (305) 470-8285
 WWW.MRGLASSWINDOWS.COM

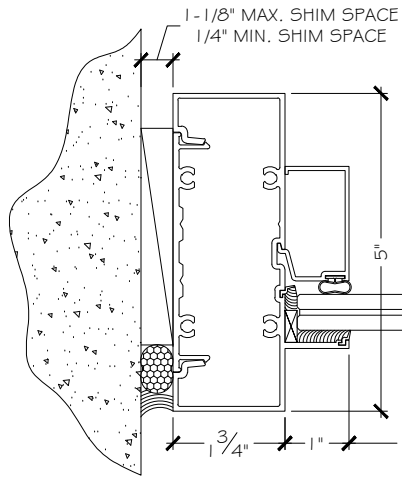
PROJECT INFORMATION

SERIES: MG5000
 DESCRIPTION: ALUMINUM WINDOW
 WALL (L.M.I.)
 N.O.A. # 13-0107.03

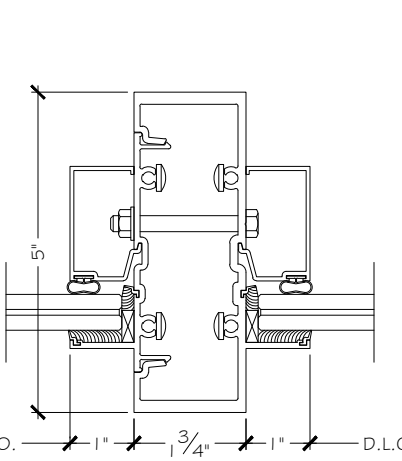
VERTICAL

DATE: 10/22/2013

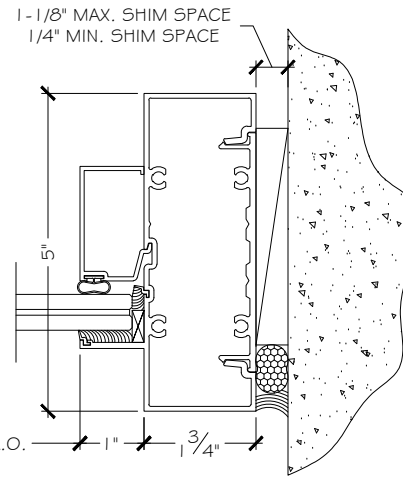
DETAIL: D



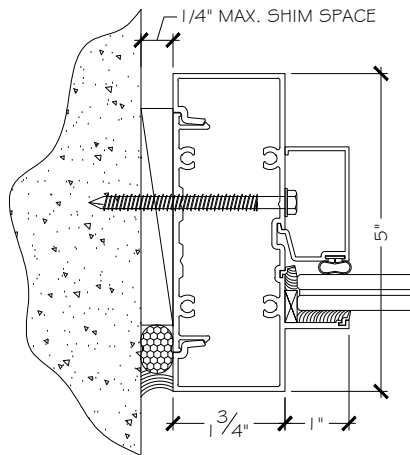
DETAIL: E



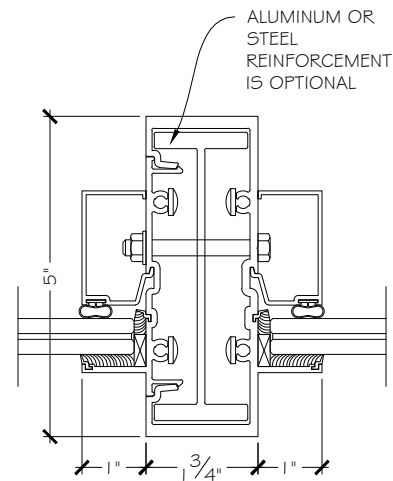
DETAIL: F



DETAIL: G



DETAIL: H



DRAWN BY: YUDIEL CURBELO

N.	REVISION	DATE
1		
2		
3		
4		



PREPARED BY

MR. GLASS DOORS & WINDOWS, INC.
7440 NW 66 ST. MIAMI FL 33166
PH: (305) 470-8284 FAX: (305) 470-8285
WWW.MRGLASSWINDOWS.COM

PROJECT INFORMATION

SERIES: MG5000
DESCRIPTION: ALUMINUM WINDOW
WALL (L.M.I.)
N.O.A. # 13-0107.03

HORIZONTAL

DATE: 10/22/2013