

MR. GLASS DOORS & WINDOWS, INC.

7440 NW 66 ST. MIAMI, FL 33166

PH: (305) 470-8284 FAX: (305) 470-8285

EMAIL: INFO@MRGLASSWINDOWS.COM

SERIES: MG500

DESCRIPTION: ALUMINUM OUTSWING DOOR (L.M.I.)

N.O.A. # 13-0820.12

THIS PRODUCT COMPLY WITH THE
FLORIDA BUILDING CODE

DRAWN BY: YUDIEL CURBELO

N.	REVISION	DATE
1		
2		
3		
4		

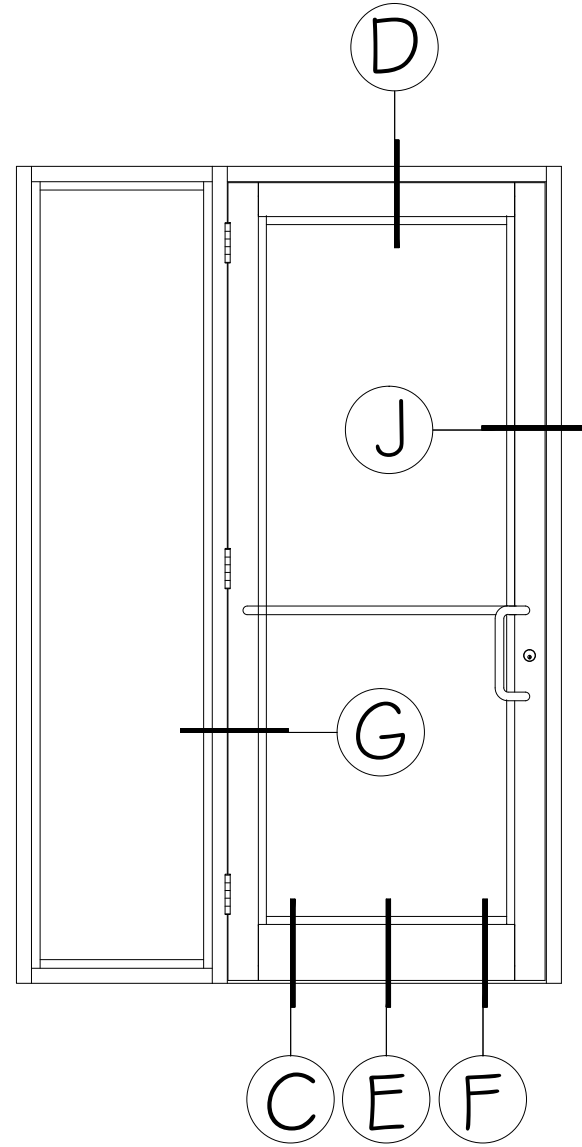
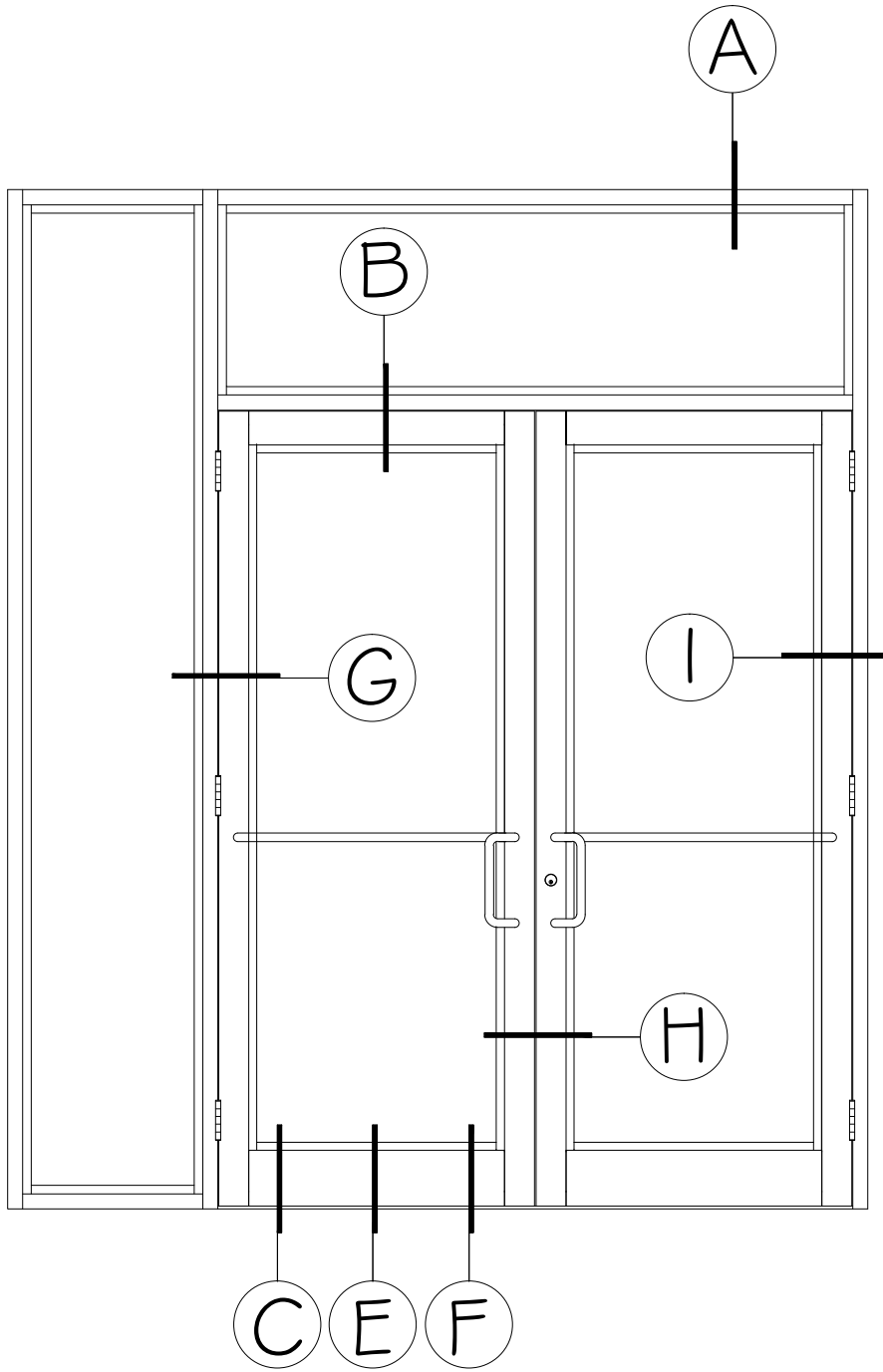


PREPARED BY
MR. GLASS DOORS & WINDOWS, INC.
7440 NW 66 ST. MIAMI FL 33166
PH: (305) 470-8284 FAX: (305) 470-8285
WWW.MRGLASSWINDOWS.COM

PROJECT INFORMATION
SERIES: MG500
DESCRIPTION: ALUMINUM OUTSWING
DOOR (L.M.I.)
N.O.A. # 13-0820.12

COVER

DATE: 10/22/2013



DRAWN BY: YUDIEL CURBELO

N.	REVISION	DATE
1		
2		
3		
4		



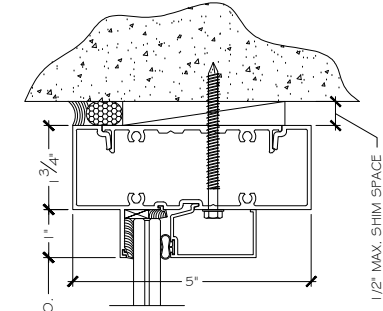
PREPARED BY
 MR. GLASS DOORS & WINDOWS, INC.
 7440 NW 66 ST. MIAMI FL 33166
 PH: (305) 470-8284 FAX: (305) 470-8285
 WWW.MRGLASSWINDOWS.COM

PROJECT INFORMATION
 SERIES: MG500
 DESCRIPTION: ALUMINUM OUTSWING
 DOOR (L.M.I.)
 N.O.A. # 13-0820.12

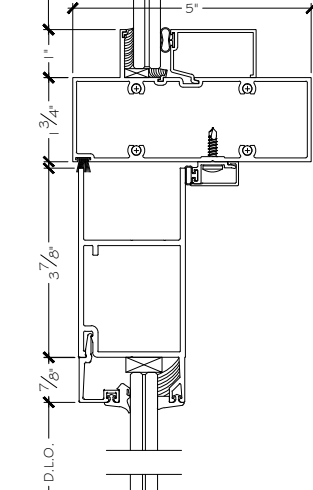
ELEVATION

DATE: 10/22/2013

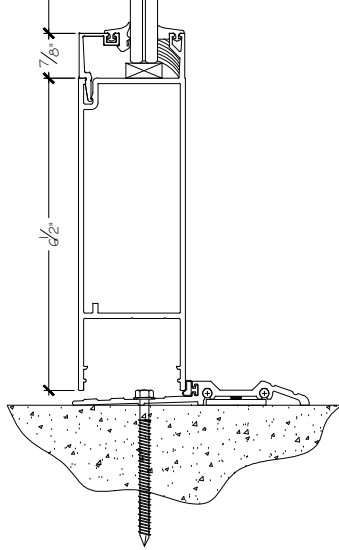
DETAIL: A



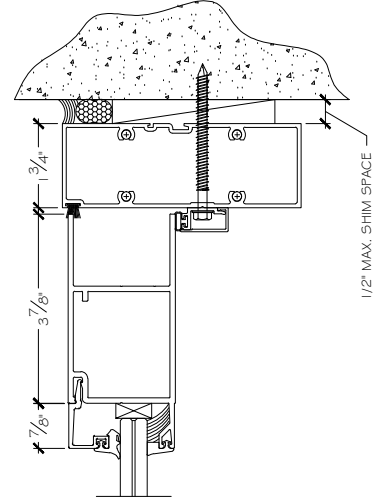
DETAIL: B



DETAIL: C



DETAIL: D



DRAWN BY: YUDIEL CURBELO

N.	REVISION	DATE
1		
2		
3		
4		



PREPARED BY

MR. GLASS DOORS & WINDOWS, INC.
7440 NW 66 ST. MIAMI FL 33166
PH: (305) 470-8284 FAX: (305) 470-8285
WWW.MRGLASSWINDOWS.COM

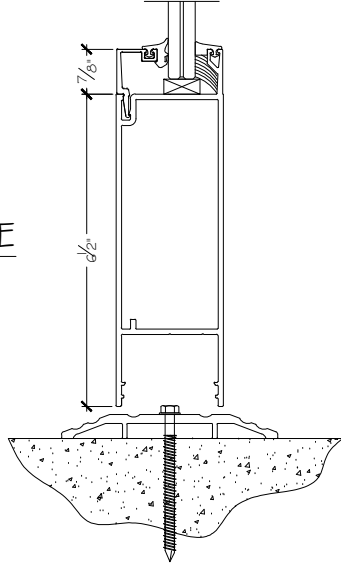
PROJECT INFORMATION

SERIES: MG500
DESCRIPTION: ALUMINUM OUTSWING
DOOR (L.M.I.)
N.O.A. # 13-0820.12

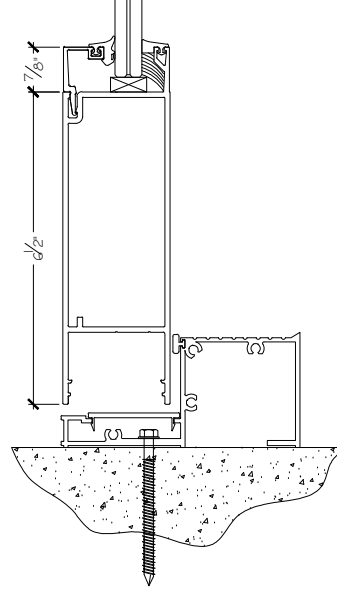
VERTICAL

DATE: 10/22/2013

DETAIL: E



DETAIL: F



DATE: 10/22/2013

VERTICAL

PROJECT INFORMATION
 SERIES: MG500
 DESCRIPTION: ALUMINUM OUTSWING
 DOOR (L.M.I.)
 N.O.A. # 13-0820.12

PREPARED BY

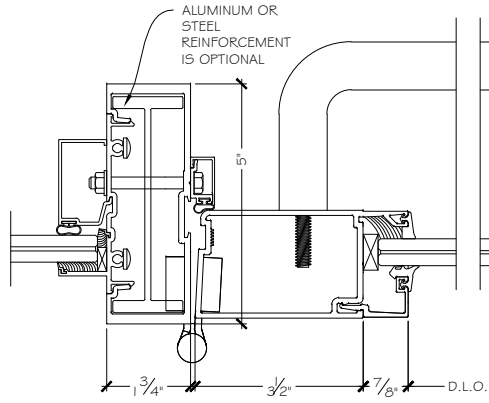
MR. GLASS DOORS & WINDOWS, INC.
 7440 NW 66 ST. MIAMI FL 33166
 PH: (305) 470-8284 FAX: (305) 470-8285
 WWW.MRGLASSWINDOWS.COM



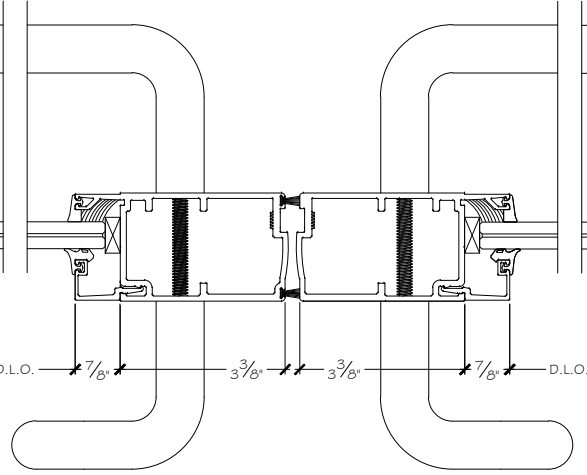
DRAWN BY: YUDIEL CURBELO

N.	REVISION	DATE
1		
2		
3		
4		

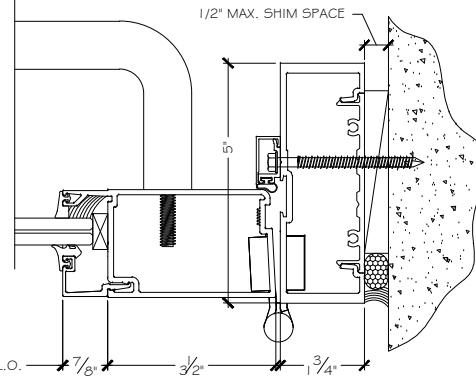
DETAIL: G



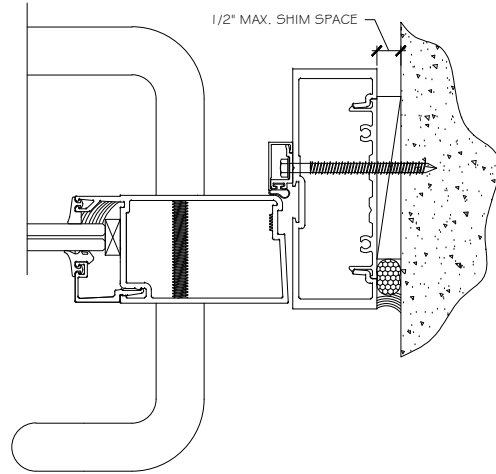
DETAIL: H



DETAIL: I



DETAIL: J



DRAWN BY: YUDIEL CURBELO

N.	REVISION	DATE
1		
2		
3		
4		



PREPARED BY

MR. GLASS DOORS & WINDOWS, INC.
 7440 NW 66 ST., MIAMI, FL 33166
 PH: (305) 470-8284 FAX: (305) 470-8285
 WWW.MRGLASSWINDOWS.COM

PROJECT INFORMATION

SERIES: MG500
 DESCRIPTION: ALUMINUM OUTSWING
 DOOR (L.M.I.)
 N.O.A. # 13-0820.12

HORIZONTAL

DATE: 10/22/2013